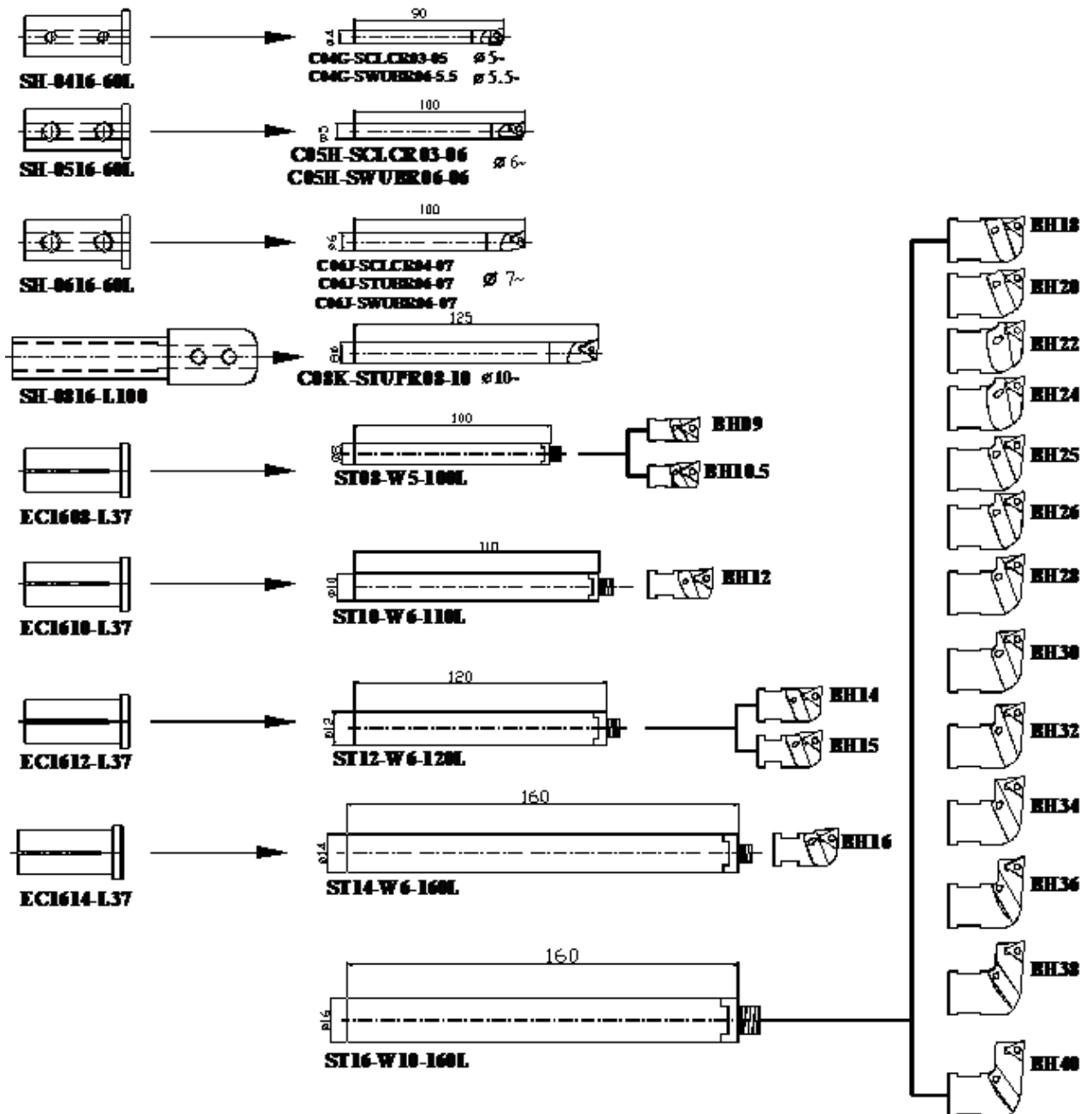


搪刀系列

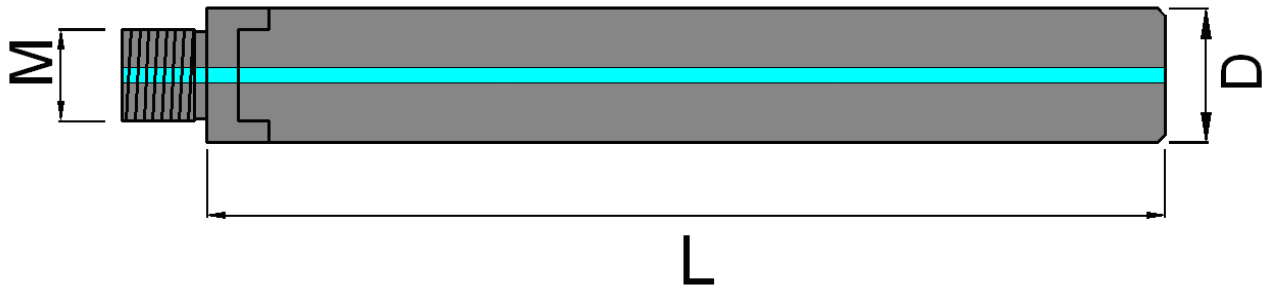


Zy 碳化鎢搪刀組合圖 Combination of Carbide Boring Bars

■ 碳化鎢搪刀柄組合圖



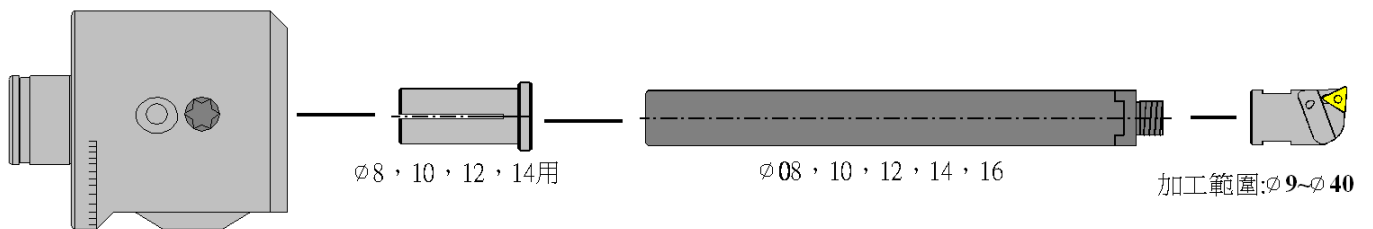
Zy 碳化鎢鋼搪刀系列 Carbide Boring Bars



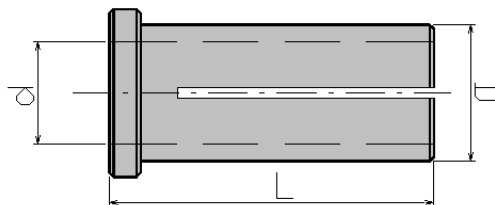
Stock	型號 Model No.	D	M	L	組合搪頭 Matched Heads
●	ST08-W5-100L	8	M5	100	BH09
●	ST10-W6-110L	10	M6	110	BH12
●	ST12-W6-120L	12	M6	120	BH14
●	ST14-W6-160L	14	M6	160	BH16
●	ST16-W10-160L	16	M10	160	BH18 BH40

●:庫存 In Stock ○:非標準庫存(請確認交貨期) Non-standard Stock

組立圖



● 替換式搪孔套筒



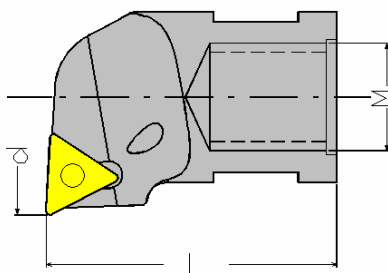
Stock	型號 Model No.	d	D	L	組合搪頭 Matched Heads
●	EC1608-L37	8	16	37	ST08-W5-100L
●	EC1610-L37	10	16	37	ST10-W6-110L
●	EC1612-L37	12	16	37	ST12-W6-120L
●	EC1614-L37	14	16	37	ST14-W6-160L

Zy 鎖牙式搪刀頭系列 Boring Cutter Head

替換式搪孔刀頭



中央出水孔

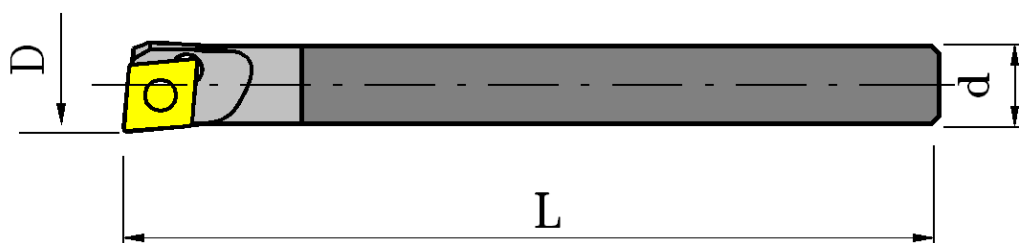


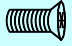
Stock	型號 Model No.	尺寸		L	M	刀片 Insert	螺絲 Screw	扳手 Wrench
		d	搪孔範圍 Range					
●	BH09	9	9~10.5	18	M5	TPGT080204L	M2. 2x5. 1x3. 1	T7
●	BH10.5	10.5	10.5~12					
●	BH12	12	12~14	23	M6			
●	BH14	14	14~15					
●	BH15	15	15~16					
●	BH16	16	16~18					
●	BH18	18	18~20	27	M10			
●	BH20	20	20~22					
●	BH22	22	22~24					
●	BH24	24	24~25					
●	BH25	25	25~26					
●	BH26	26	26~28					
○	BH28	28	28~30					
○	BH30	30	30~32					
○	BH32	32	32~34					
○	BH34	34	34~36					
○	BH36	36	36~38					
○	BH38	38	38~40					
○	BH40	40	40~42					

●:庫存 In Stock ○:非標準庫存(請確認交貨期) Non-standard Stock

Zy 碳化鎢鋼搪刀系列 Carbide Boring Bar

碳化鎢小徑搪刀 Micro Internal Boring Bars

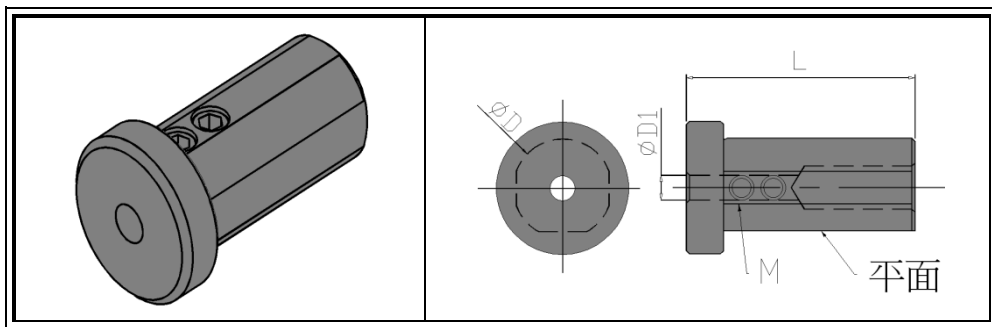
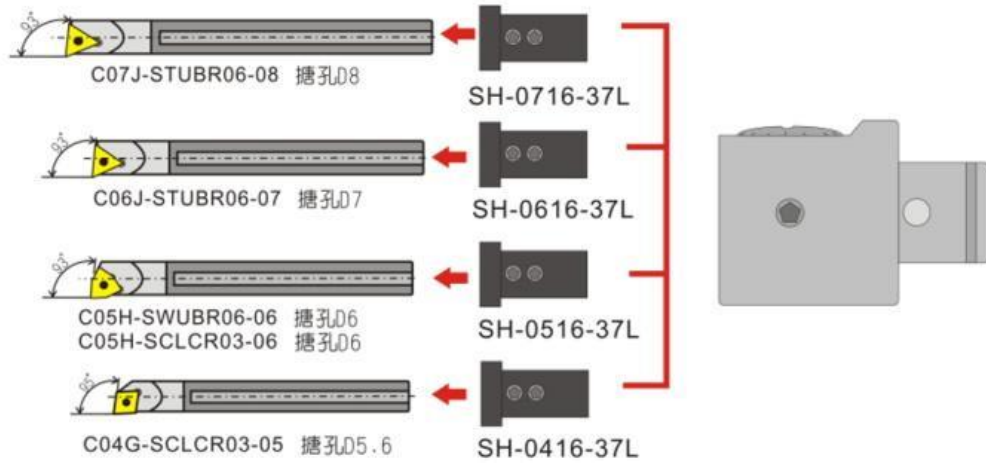


Stock	型號 Model No.	d	L	最小搪孔徑 D Min Boring D	刀片 Insert	 螺絲 Screw
●	C04G-SWUBR06-055	4	90	5.5	WB06	M2x3.7x2.6-60
●	C05H-SWUBR06-06	5	100	6	WB06	M2x3.7x2.6-60
●	C06J-SWUBR06-07	6	110	7	WB06	M2x5.0x2.6
●	C04G-SCLCR03-05	4	90	5.6	CC03	M1.8x4.0x2.5-54
●	C05H-SCLCR03-06	5	100	6	CC03	M1.8x4.0x2.5-54
●	C06J-SCLCR04-07	6	110	7	CC04	M2.2x5.1x3.1
●	C06J-STUBR06-07	6	110	7	TB06	M2x5.0x2.6
●	C08K-STUPR08-10	8	125	10	TP08	M2.2x5.1x3.1

●:庫存 In Stock ○:非標準庫存(請確認交貨期) Non-standard Stock

Zy 搪刀系列 Boring Adapters

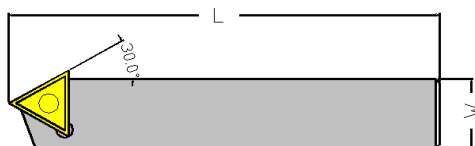
搪孔組合圖 MODULAR BORING SYSTEMS



Stock	型號 Model No.	D	D1	H	L	螺絲 Screw	板手 Wrench
●	SH-0416-37	16	4	15	37	SETM4x4L	P2.0
●	SH-0516-37	16	5	15	37	SETM5x5L	P2.5
●	SH-0616-37	16	6	15	37	SETM6x4L	P3.0
●	SH-0716-37	16	7	15	37	SETM6x4L	P3.0

●:庫存 In Stock ○:非標準庫存(請確認交貨期) Non-standard Stock

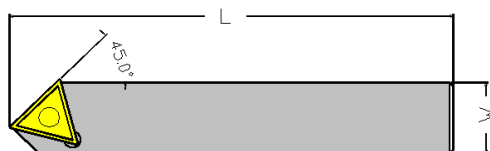
Zy 搪孔刀架系列 Boring Cutter



Stock	型號 Model No.	W	L	螺絲 Screw	板手 Wrench	刀片 Insert
○	SBS-308-TP07	8	50	M2. 2x5. 1x3. 1	T7	TP0701
○	SBS-310-TP09	10	60	M3x7. 8x4. 1	T9	TP0902
●	SBS-313-TP11	13	80	M3x7. 8x4. 10	T9	TP1103
○	SBS-316-TP11	16	100	M3x7. 8x4. 1	T9	TP1103
○	SBS-319-TP16	19	125	M4x8. 8x5. 4	T15	TP16T3
○	SBS-325-TP16	25	150	M4x8. 8x5. 4	T15	TP16T3



Stock	型號 Model No.	W	L	螺絲 Screw	板手 Wrench	刀片 Insert
○	SBS-108-TP07	8	50	M2. 2x5. 1x3. 1	T7	TP0701
○	SBS-110-TP09	10	60	M2. 5x6. 0x3. 6	T8	TP0902
●	SBS-113-TP11	13	80	M3x7. 8x4. 1	T9	TP1103
○	SBS-116-TP11	16	100	M3x7. 8x4. 1	T9	TP1103
○	SBS-116-TP16	16	100	M4x8. 8x5. 4	T15	TP16T3
○	SBS-119-TP16	19	125	M4x8. 8x5. 4	T15	TP16T3
○	SBS-125-TP16	25	150	M4x8. 8x5. 4	T15	TP16T3



Stock	型號 Model No.	W	L	螺絲 Clamp Screw	板手 Wrench	刀片 Insert
○	SBS-408-TP07	08	50	M2. 2x5. 1x3. 1	T7	TP0701
○	SBS-410-TP09	10	60	M2. 5x6. 0x3. 6	T8	TP0902
●	SBS-413-TP11	13	80	M3x7. 8x4. 1	T9	TP1103
●	SBS-416-TP11	16	100	M3x7. 8x4. 1	T9	TP1103
○	SBS-419-TP16	19	125	M4x8. 8x5. 4	T15	TP16T3
○	SBS-425-TP16	25	150	M4x8. 8x5. 4	T15	TP16T3