

External Turning Tool

With Coolant 外徑出水車刀



負角型



負角型



牙刀



正角型

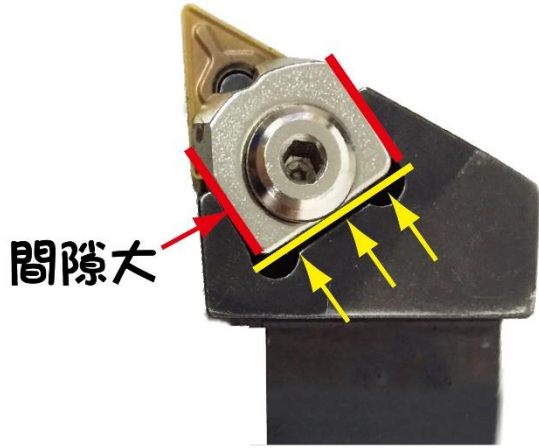


走心式



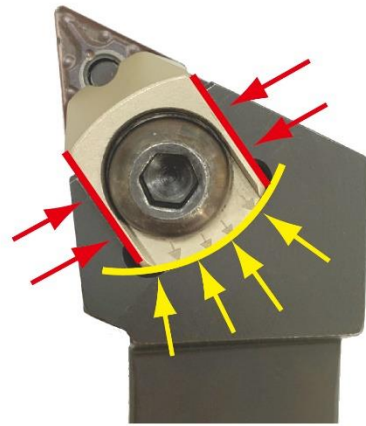


全刻件-雙面拘束大壓板



間隙大

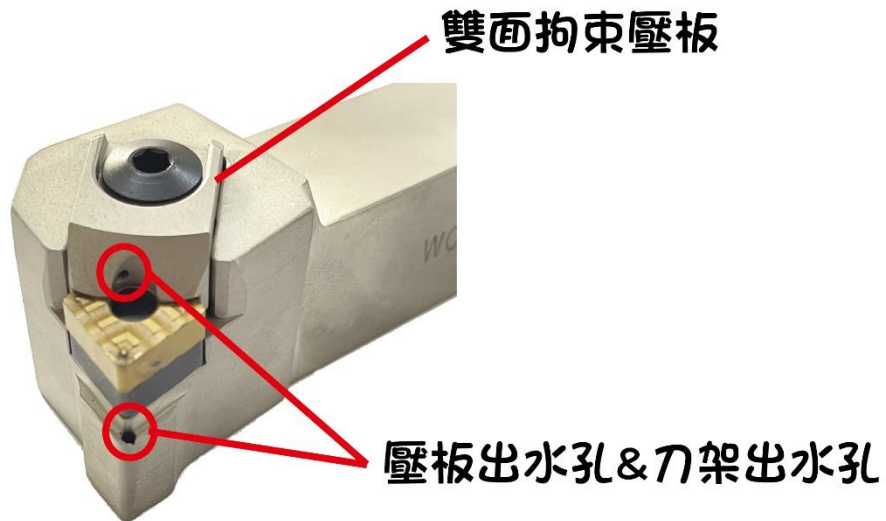
直線貼合定位效果差



大圓弧的設計

使壓板重複定位更準確

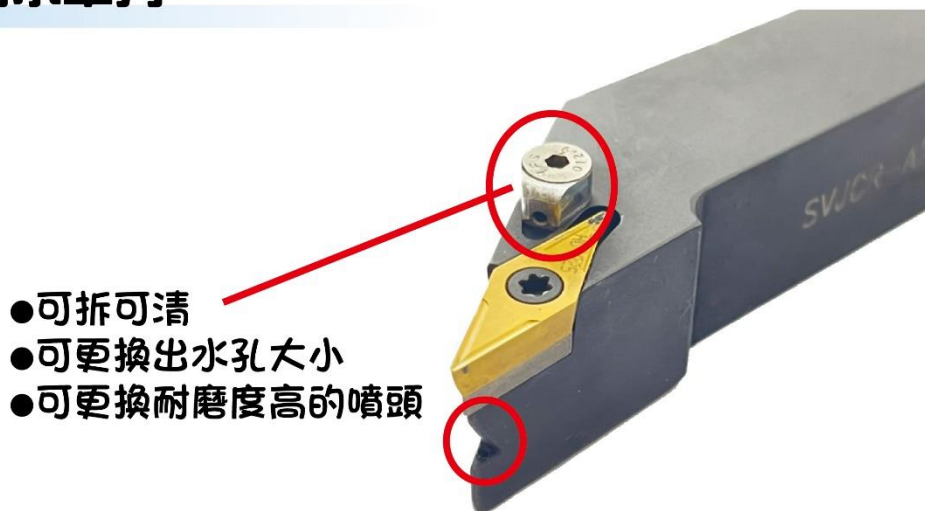
W Type 出水車刀



雙面拘束壓板

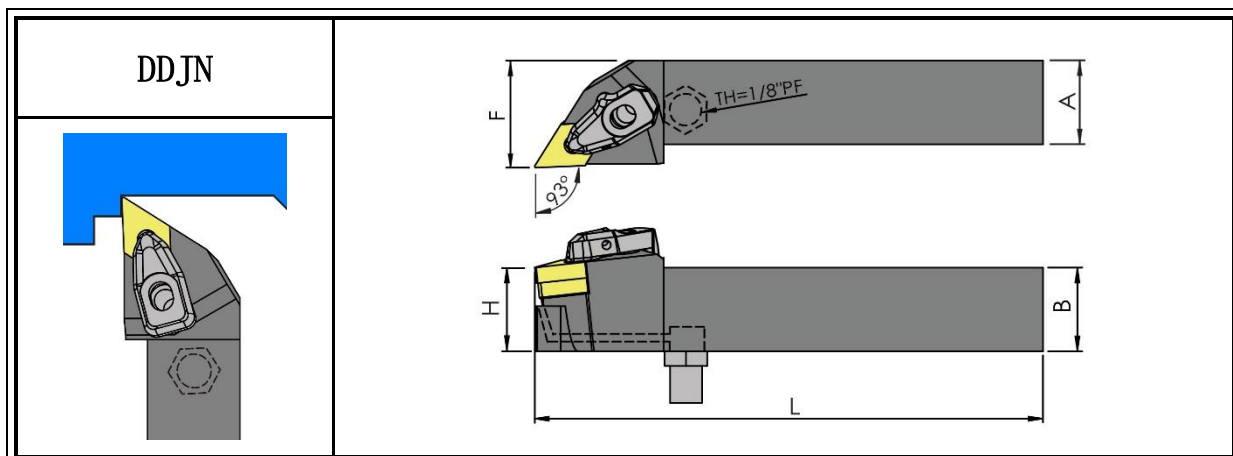
壓板出水孔&刀架出水孔

噴頭式出水車刀



- 可拆可清
- 可更換出水孔大小
- 可更換耐磨度高的噴頭


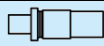





Zy 外徑出水車刀 Tool Holder With Coolant



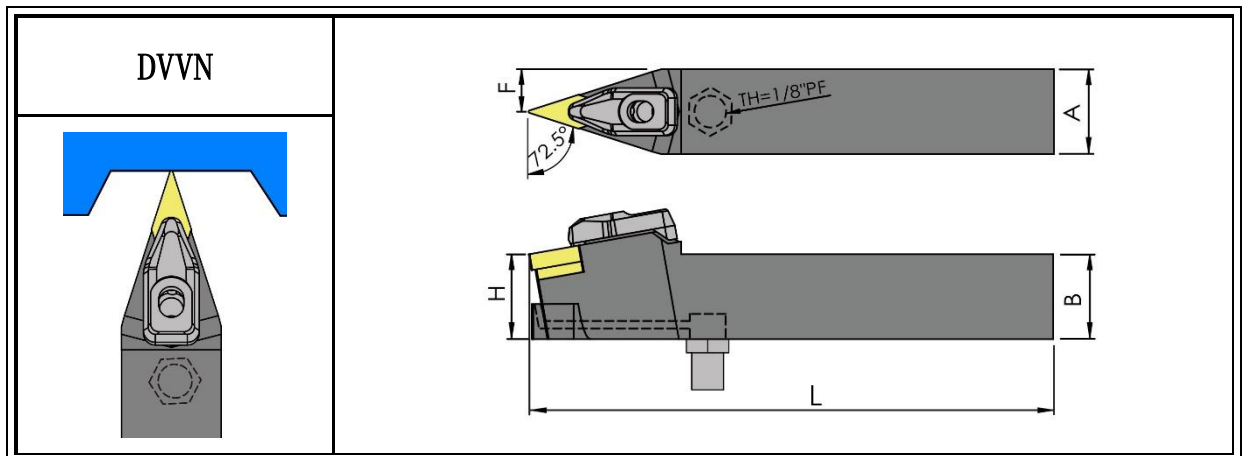
Stock	型號 Model No.	A	B	H	F	L	刀片 Insert
●	DDJNR/L-A2020K-16	20	20	20	25	125	DN1604
●	DDJNR/L-A2525M-16	25	25	25	32	150	

●:庫存 ○:非標準庫存(請確認交貨期)

配件 Tool Parts :

 墊片 Shim	 中心柱 Shim Screw	 壓板 Clamp	 螺絲 Clamp Screw	 彈簧 Spring	 O型環 O-ring	 板手 Wrench
DMS442	DDSM4	DDPSE-2916	DS625	SP85	3X1	L2.5 L3.0


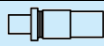





Zy 外徑出水車刀 Tool Holder With Coolant



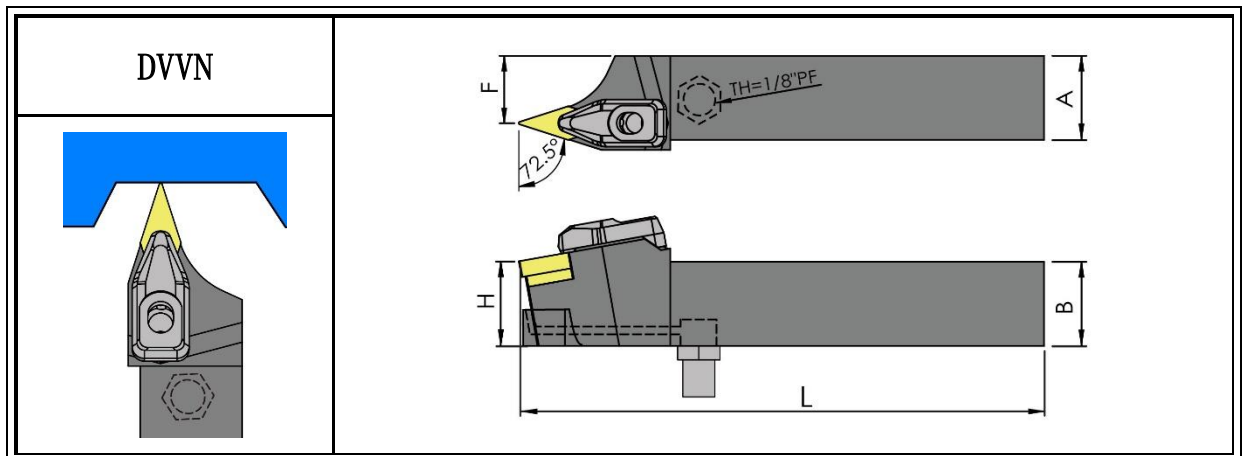
Stock	型號 Model No.	A	B	H	F	L	刀片 Insert
●	DVVNN-A2020K-16	20	20	20	10	125	VN1604
●	DVVNN-A2525M-16	25	25	25	12.5	150	

●:庫存 In Stock ○:非標準庫存(請確認交貨期) Non-standard Stock

配件 Tool Parts :

 墊片 Shim	 中心柱 Shim Screw	 壓板 Clamp	 螺絲 Clamp Screw	 彈簧 Spring	 O型環 O-ring	 板手 Wrench
GMV322	DVSM4	DVPSE-3214	DS625	SP85	3X1	L2.5 L3.0


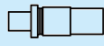





Zy 外徑出水車刀 Tool Holder With Coolant



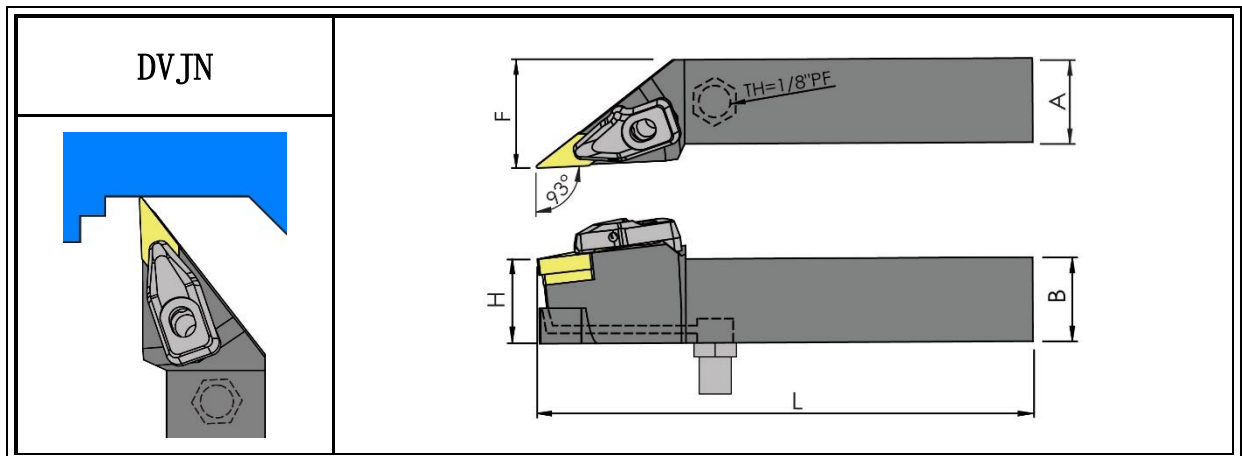
Stock	型號 Model No.	A	B	H	F	L	刀片 Insert
●	DVVNR/L-A2020K-16	20	20	20	15	125	VN1604
●	DVVNR/L-A2525M-16	25	25	25	20	150	

●:庫存 In Stock ○:非標準庫存(請確認交貨期) Non-standard Stock

配件 Tool Parts :

 墊片 Shim	 中心柱 Shim Screw	 壓板 Clamp	 螺絲 Clamp Screw	 彈簧 Spring	 O型環 O-ring	 板手 Wrench
GMV322	DVSM4	DVPSE-3214	DS625	SP85	3X1	L2.5 L3.0


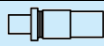





Zy 外徑出水車刀 Tool Holder With Coolant



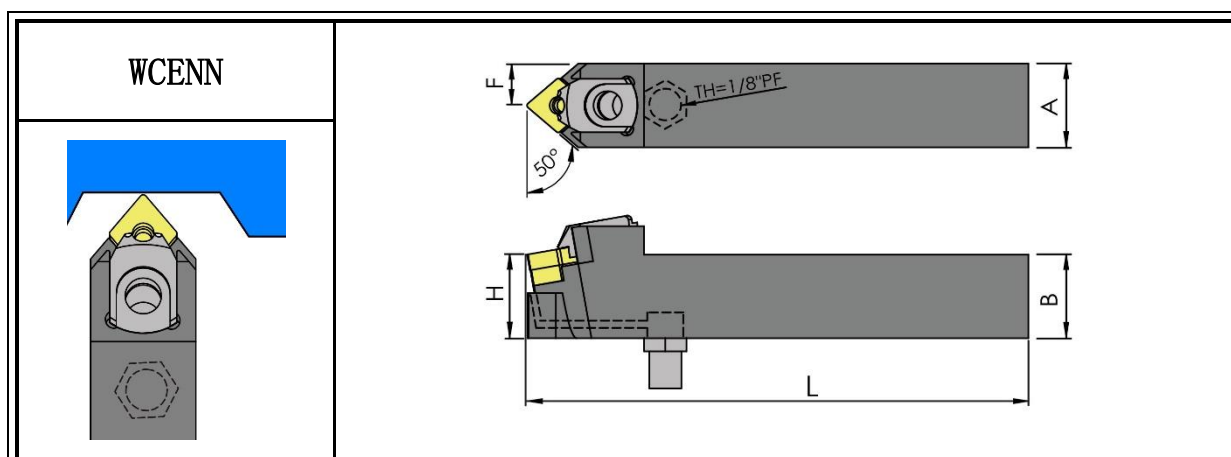
Stock	型號 Model No.	A	B=H	H	F	L	刀片 Insert
●	DVJNR/L-A2020K-16	20	20	20	25	125	VN1604
●	DVJNR/L-A2525M-16	25	25	25	32	150	

●:庫存 In Stock ○:非標準庫存(請確認交貨期) Non-standard Stock

配件 Tool Parts :

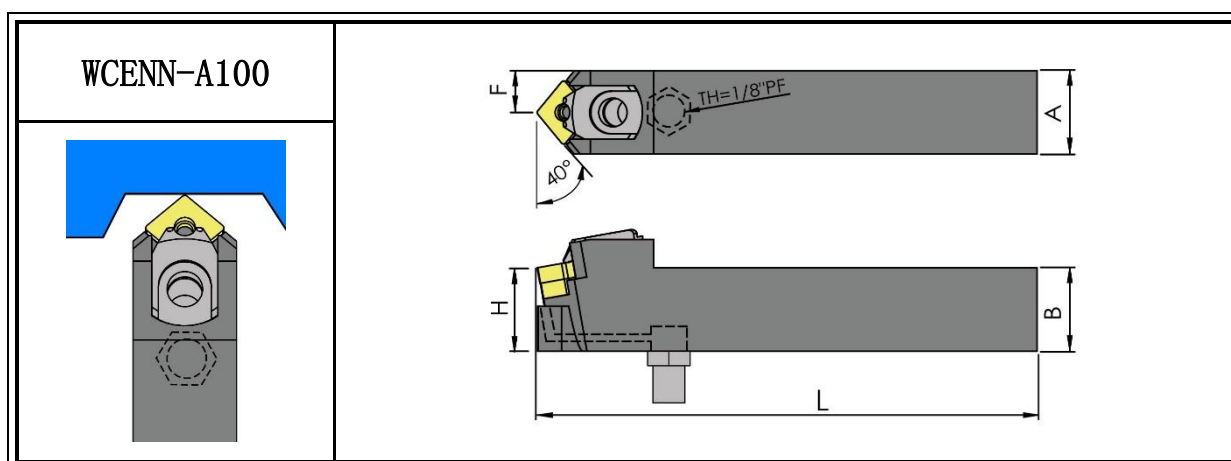
 墊片 Shim	 中心柱 Shim Screw	 壓板 Clamp	 螺絲 Clamp Screw	 彈簧 Spring	 O型環 O-ring	 板手 Wrench
GMV322	DVSM4	DVPSE-3214	DS625	SP85	3X1	L2.5 L3.0

Zy 外徑出水車刀 Tool Holder With Coolant



Stock	型號 Model No.	A	B=H	F	L	墊片 Shim	中心柱 Shim Screw	W 型壓板組 W Type Clamp	板手 Wrench	刀片 Insert
●	WCENN-A2020K-12	20	20	10	125	CMS422	LCS-618A	WCPSE-2516A	L3.0	CN1204
●	WCENN-A2525M-12	25	25	12.5	150				L4.0	

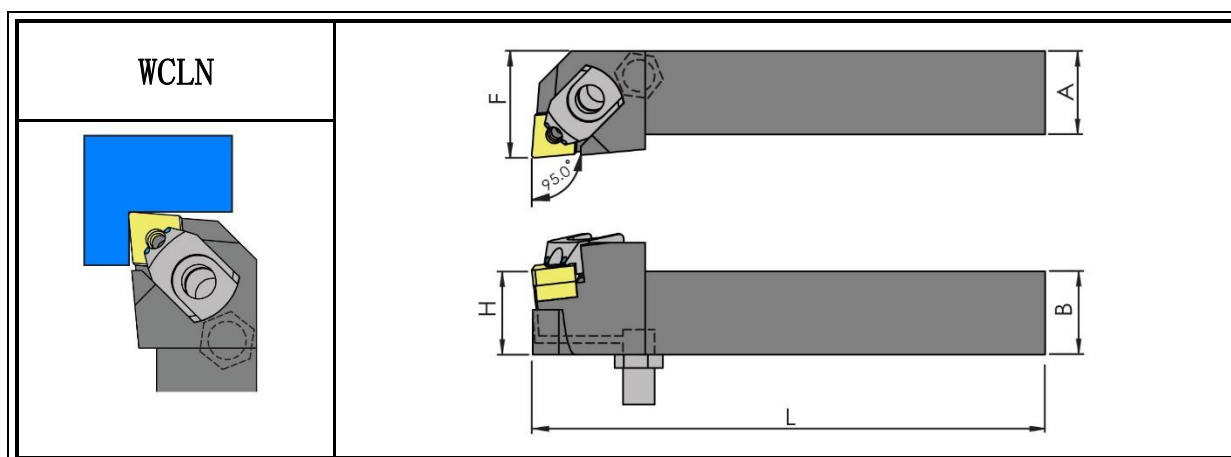
●:庫存 In Stock ○:非標準庫存(請確認交貨期) Non-standard Stock



Stock	型號 Model No.	A	B=H	F	L	墊片 Shim	中心柱 Shim Screw	W 型壓板組 W Type Clamp	板手 Wrench	刀片 Insert
●	WCENN-A2020K-12-A100	20	20	10	125	CMS422	LCS-618A	WCPSE-2516A	L3.0	CN1204
●	WCENN-A2020K-12-A100	25	25	12.5	150				L4.0	

●:庫存 In Stock ○:非標準庫存(請確認交貨期) Non-standard Stock

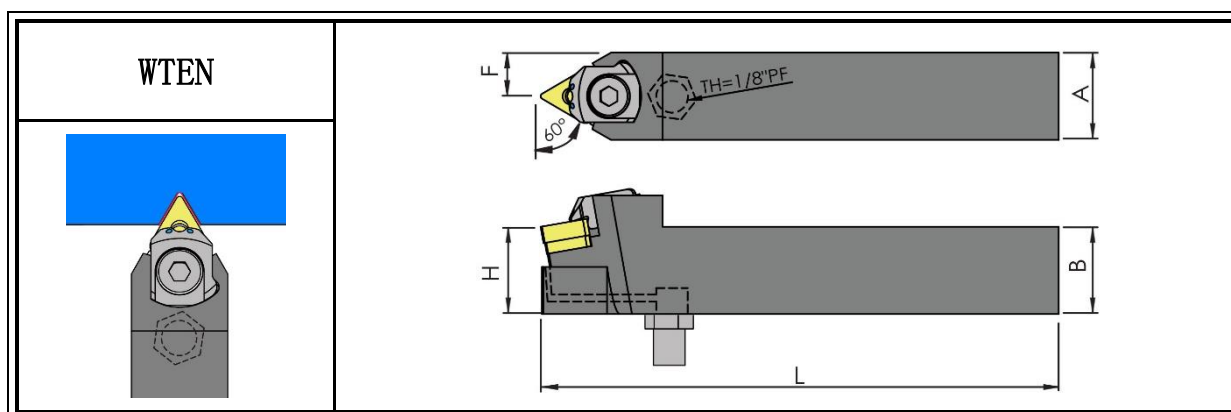
Zy 外徑出水車刀 Tool Holder With Coolant



Stock	型號 Model No.	A	B=H	F	L	 墊片 Shim	 中心柱 Shim Screw	 W 型壓板組 W Type Clamp	 板手 Wrench	刀片 Insert
●	WCLNR/L-A2020K-12	20	20	25	125	CMS422	LCS-618A	WCPSE-2516A	L3.0	CN1204
●	WCLNR/L-A2525M-12	25	25	32	150				L4.0	

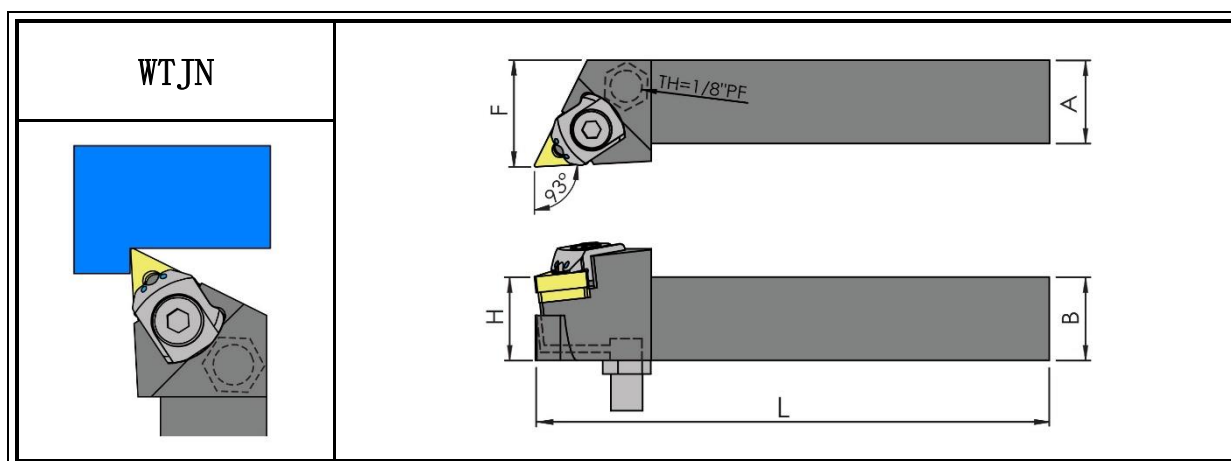
●:庫存 In Stock ○:非標準庫存(請確認交貨期) Non-standard Stock

Zy 外徑出水車刀 Tool Holder With Coolant



Stock	型號 Model No.	A	B=H	F	L	 墊片 Shim	 中心柱 Shim Screw	 W 型壓板組 W Type Clamp	 板手 Wrench	刀片 Insert
●	WTENN-A2020K-16	20	20	10	125	TMS322	LCS-519-1A	WTPSE-2115A	L2.5 L4.0	TN1604
●	WTENN-A2525M-16	25	25	12.5	150					

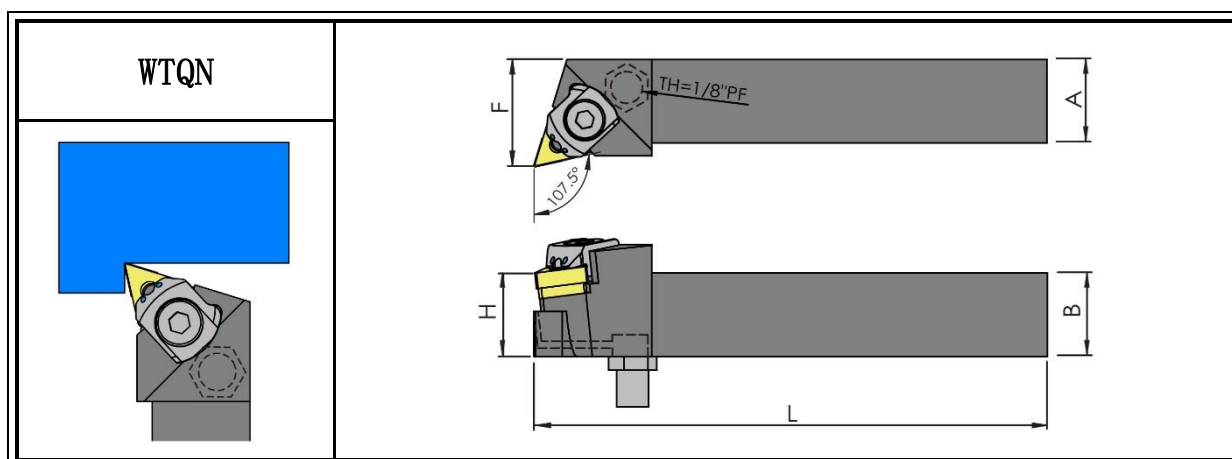
●:庫存 In Stock ○:非標準庫存(請確認交貨期) Non-standard Stock



Stock	型號 Model No.	A	B=H	F	L	 墊片 Shim	 中心柱 Shim Screw	 W 型壓板組 W Type Clamp	 板手 Wrench	刀片 Insert
●	WTJNR/L-A2020K-16	20	20	25	125	TMS322	LCS-519-1A	WTPSE-2115A	L2.5 L4.0	TN1604
●	WTJNR/L-A2525M-16	25	25	32	150					

●:庫存 In Stock ○:非標準庫存(請確認交貨期) Non-standard Stock

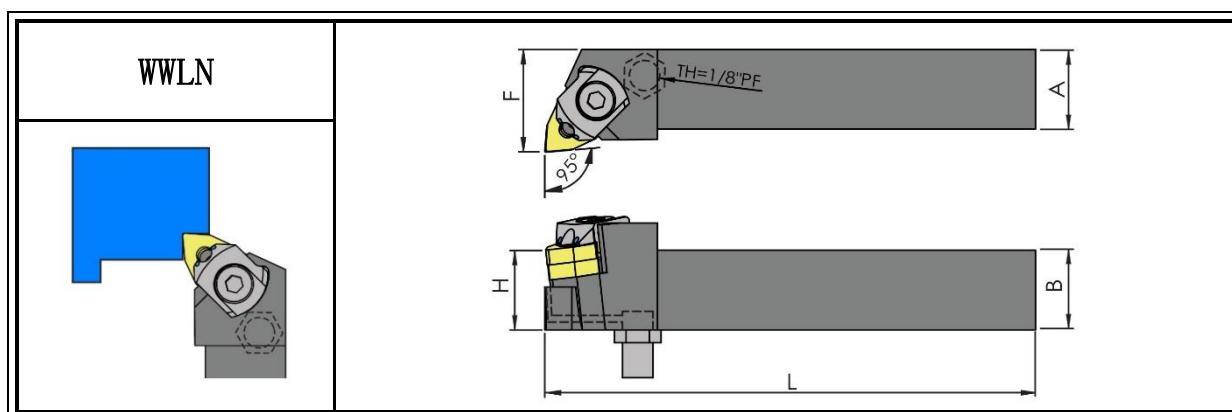
Zy 外徑出水車刀 Tool Holder With Coolant



Stock	型號 Model No.	A	B=H	F	L	 墊片 Shim	 中心柱 Shim Screw	 W 型壓板組 W Type Clamp	 板手 Wrench	刀片 Insert
●	WTQNR/L-A2020K-16	20	20	25	125	TMS322	LCS-519-1A	WTPSE-2115A	L2.5 L4.0	TN1604
●	WTQNR/L-A2525M-16	25	25	32	150					

●:庫存 In Stock ○:非標準庫存(請確認交貨期) Non-standard Stock

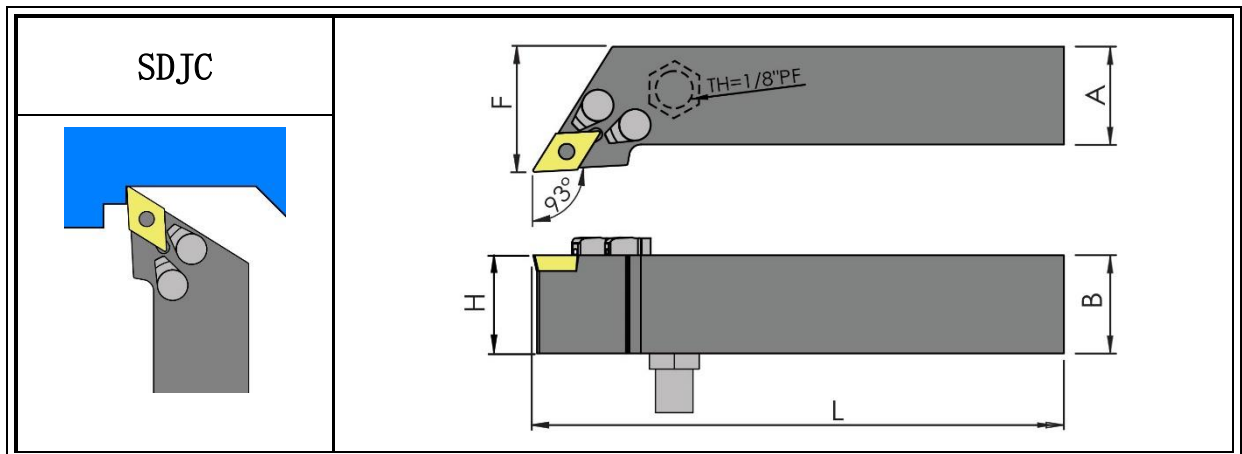
Zy 外徑出水車刀 Tool Holder With Coolant



Stock	型號 Model No.	A	B=H	F	L	 墊片 Shim	 中心柱 Shim Screw	 W 型壓板組 W Type Clamp	 板手 Wrench	刀片 Insert
●	WWLNR/L-A2020K-08	20	20	25	125	WMS432	LCS-618A	WWPSE-2316A	L3.0	WN0804
●	WWLNR/L-A2525M-08	25	25	32	150				L4.0	

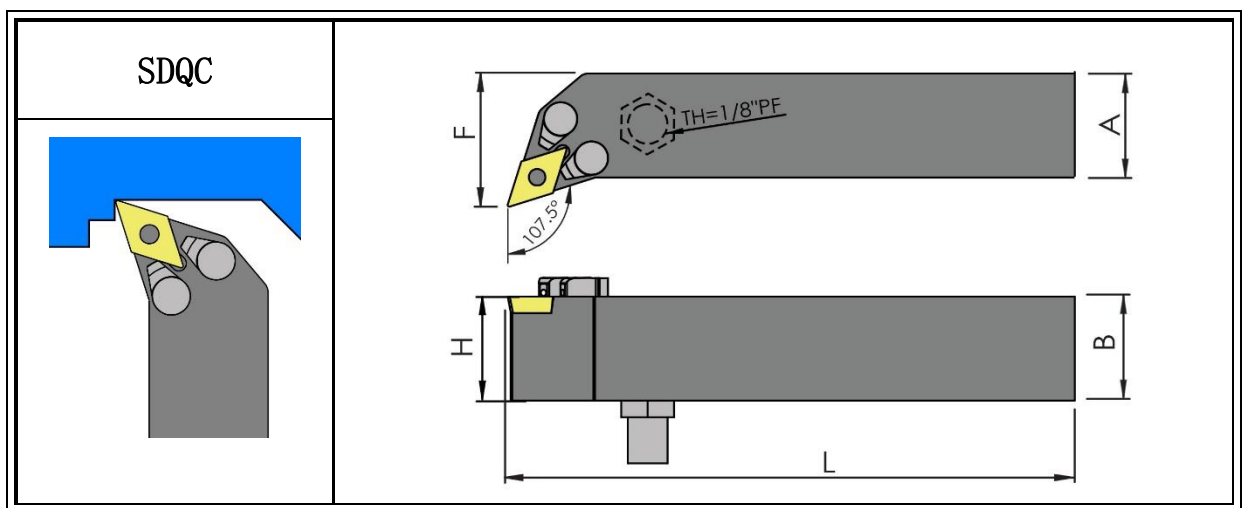
●:庫存 In Stock ○:非標準庫存(請確認交貨期) Non-standard Stock

Zy 外徑出水車刀 Tool Holder With Coolant



Stock	型號 Model No.	F	A	B=H	L	螺絲 Screw	板手 Wrench	刀片 Insert
●	SDJCR/L-A2020K-11	25	20	20	125	M4x8. 8x5. 4	T15	DC11T3
●	SDJCR/L-A2525M-11	32	25	25	150			

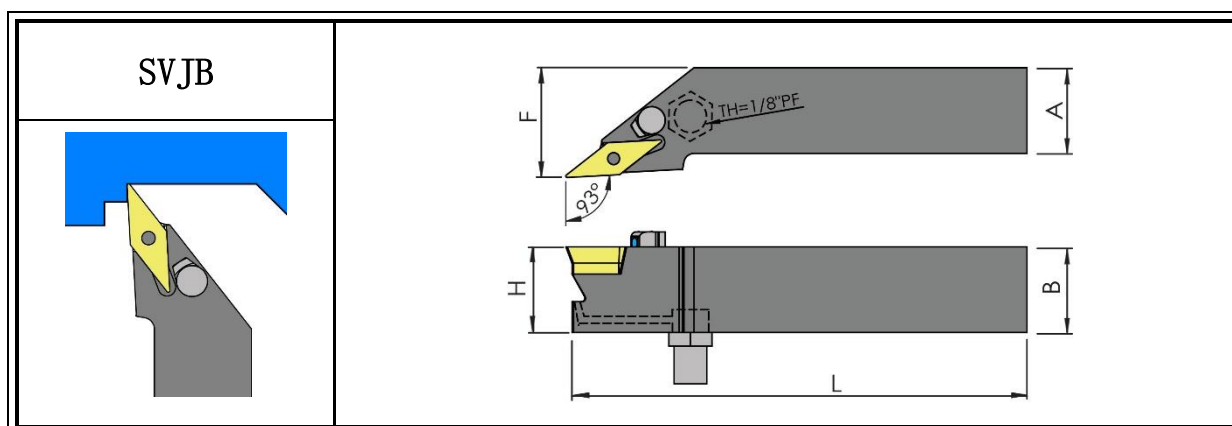
●:庫存 In Stock ○:非標準庫存(請確認交貨期) Non-standard Stock



Stock	型號 Model No.	F	A	B=H	L	螺絲 Screw	板手 Wrench	刀片 Insert
○	SDQCR/L-A2020K-11	25	20	20	125	M4x8. 8x5. 4	T15	DC11T3
●	SDQCR/L-A2525M-11	32	25	25	150			

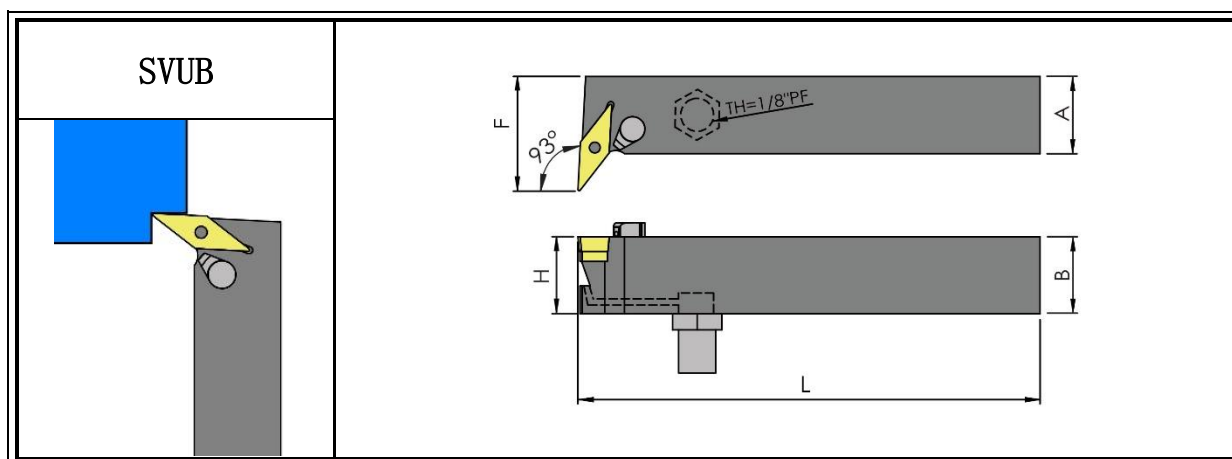
●:庫存 In Stock ○:非標準庫存(請確認交貨期) Non-standard Stock

Zy 外徑出水車刀 Tool Holder With Coolant



Stock	型號 Model No.	F	A	B=H	L	墊片 Shim	墊片螺絲 Shim Screw	螺絲 Screw	板手 Wrench	刀片 Insert
●	SVJBR/L-A2020K-16	25	20	20	125	VSS322	MDS5035A	M3. 5x11. 4x5. 7	T15 L:3.5	VB1604
●	SVJBR/L-A2525M-16	32	25	25	150					

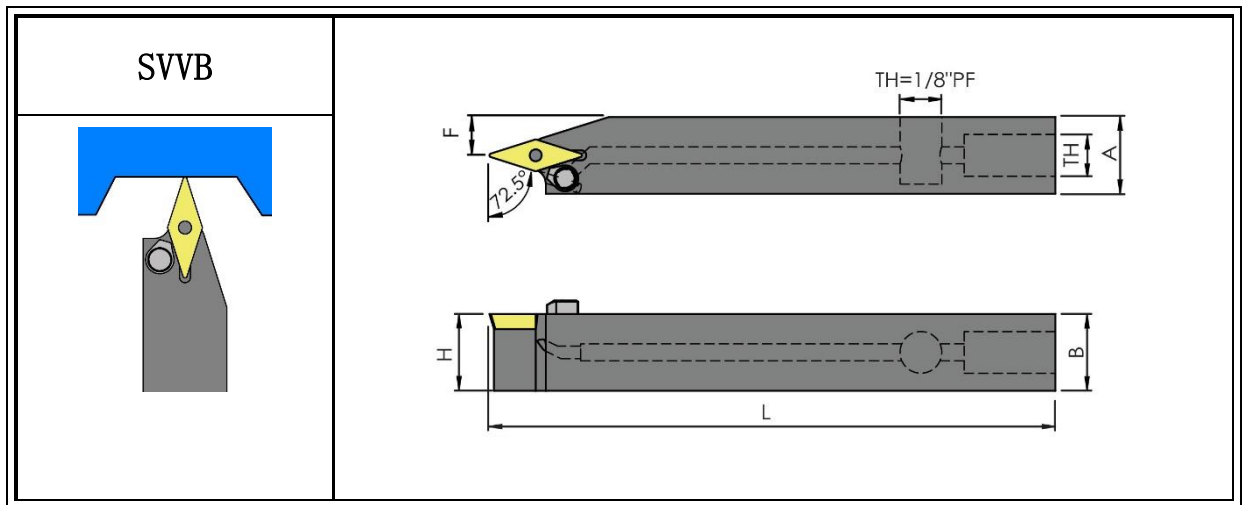
●:庫存 In Stock ○:非標準庫存(請確認交貨期) Non-standard Stock



Stock	型號 Model No.	F	A	B=H	L	墊片 Shim	墊片螺絲 Shim Screw	螺絲 Screw	板手 Wrench	刀片 Insert
●	SVUBR/L-A2020K-16	32	20	20	125	VSS322	MDS5035A	M3. 5x11. 4x5. 7	T15 L:3.5	VB1604
●	SVUBR/L-A2525M-16	37	25	25	150					

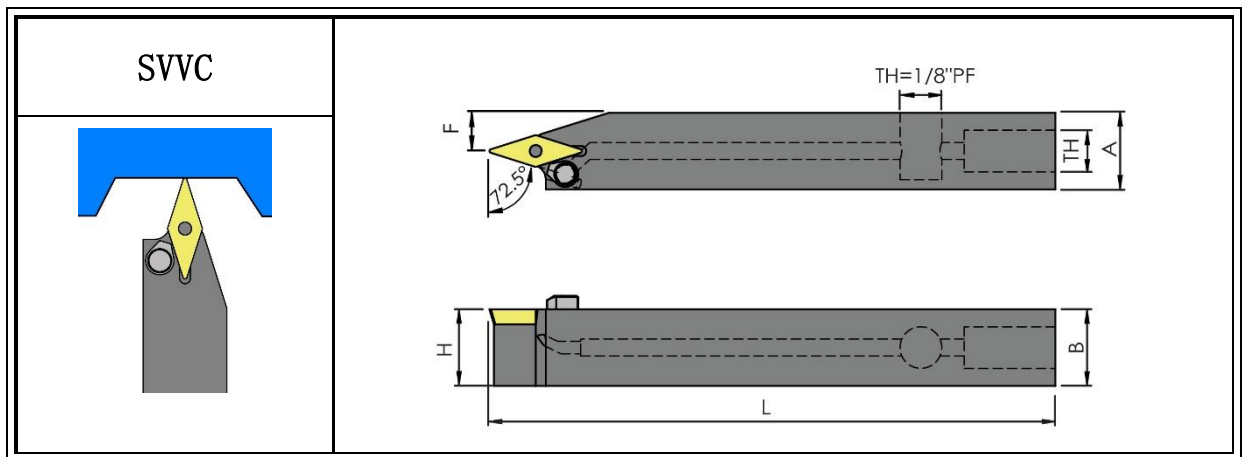
●:庫存 In Stock ○:非標準庫存(請確認交貨期) Non-standard Stock

Zy 外徑出水車刀 Tool Holder With Coolant



Stock	型號 Model No.	F	A	B=H	L	螺絲 Screw	板手 Wrench	刀片 Insert
●	SVVBN-A1212H-11	6	12	12	100	M2.5x6.0x3.6	T8	VB1103
●	SVVBN-A1616H-11	8	16	16	100			

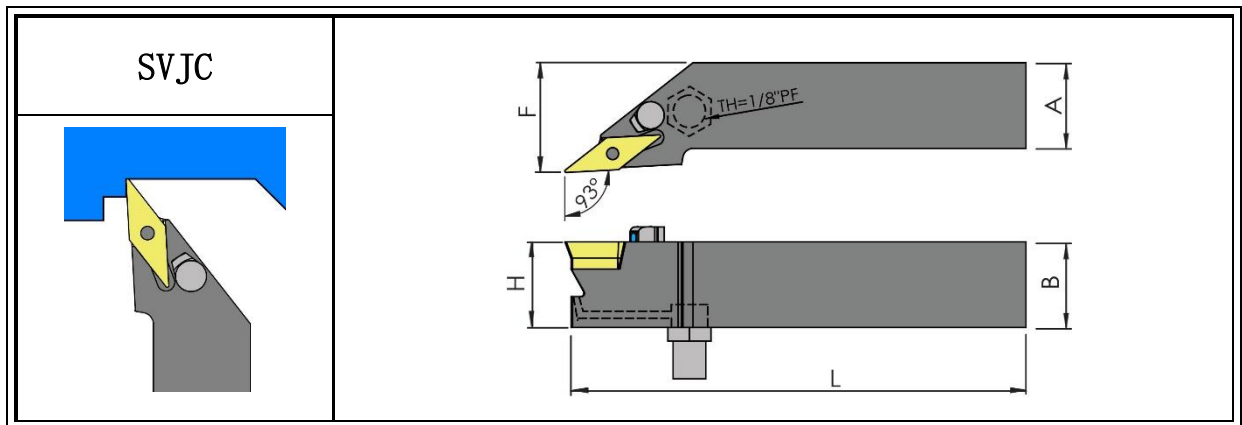
●:庫存 In Stock ○:非標準庫存(請確認交貨期) Non-standard Stock



Stock	型號 Model No.	F	A	B=H	L	螺絲 Screw	板手 Wrench	刀片 Insert
●	SVVCN-A1212H-11	6	12	12	100	M2.5x6.0x3.6	T8	VC1103
●	SVVCN-A1616H-11	8	16	16	100			

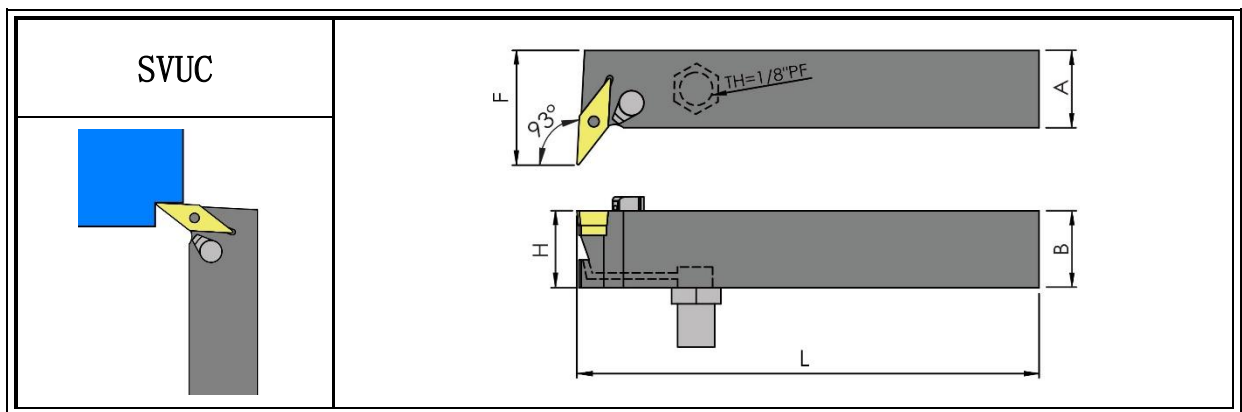
●:庫存 In Stock ○:非標準庫存(請確認交貨期) Non-standard Stock

Zy 外徑出水車刀 Tool Holder With Coolant



Stock	型號 Model No.	F	A	B=H	L	墊片 Shim	墊片螺絲 Shim Screw	螺絲 Screw	板手 Wrench	刀片 Insert
●	SVJCR/L-A2020K-16A	25	20	20	125	VSS322	MDS5035A	M3. 5x11. 4x5. 7	T15 L:3. 5	VC1604
●	SVJCR/L-A2525M-16A	32	25	25	150					

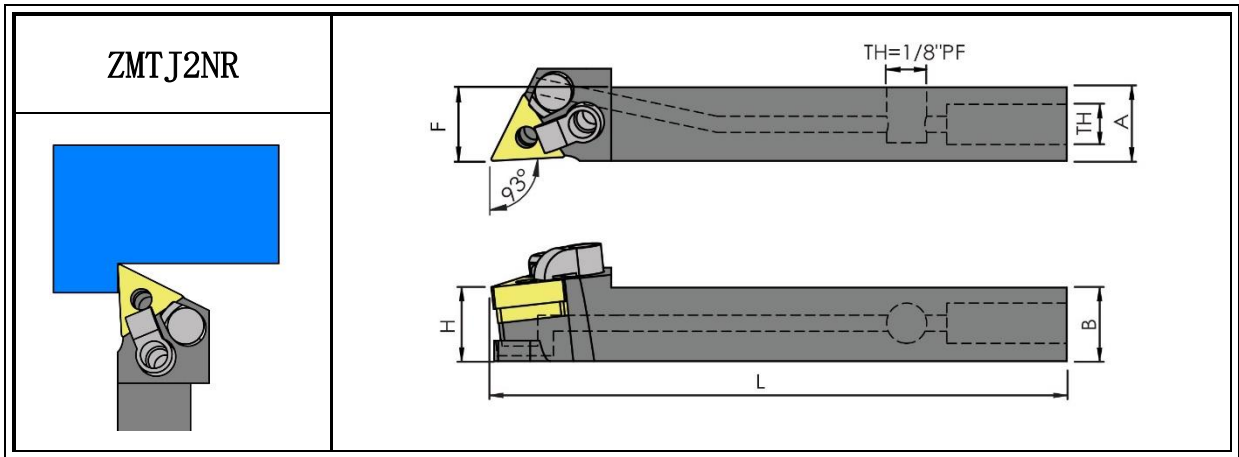
●:庫存 In Stock ○:非標準庫存(請確認交貨期) Non-standard Stock



Stock	型號 Model No.	F	A	B=H	L	墊片 Shim	墊片螺絲 Shim Screw	螺絲 Screw	板手 Wrench	刀片 Insert
●	SVUCR/L-A2020K-16	32	20	20	125	VSS322	MDS5035A	M3. 5x11. 4x5. 7	T15 L:3. 5	VC1604
●	SVUCR/L-A2525M-16	37	25	25	150					

●:庫存 In Stock ○:非標準庫存(請確認交貨期) Non-standard Stock


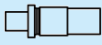
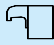
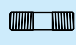

Zy 外徑出水車刀-走心式 Tool Holder With Coolant For Automatic Lathes



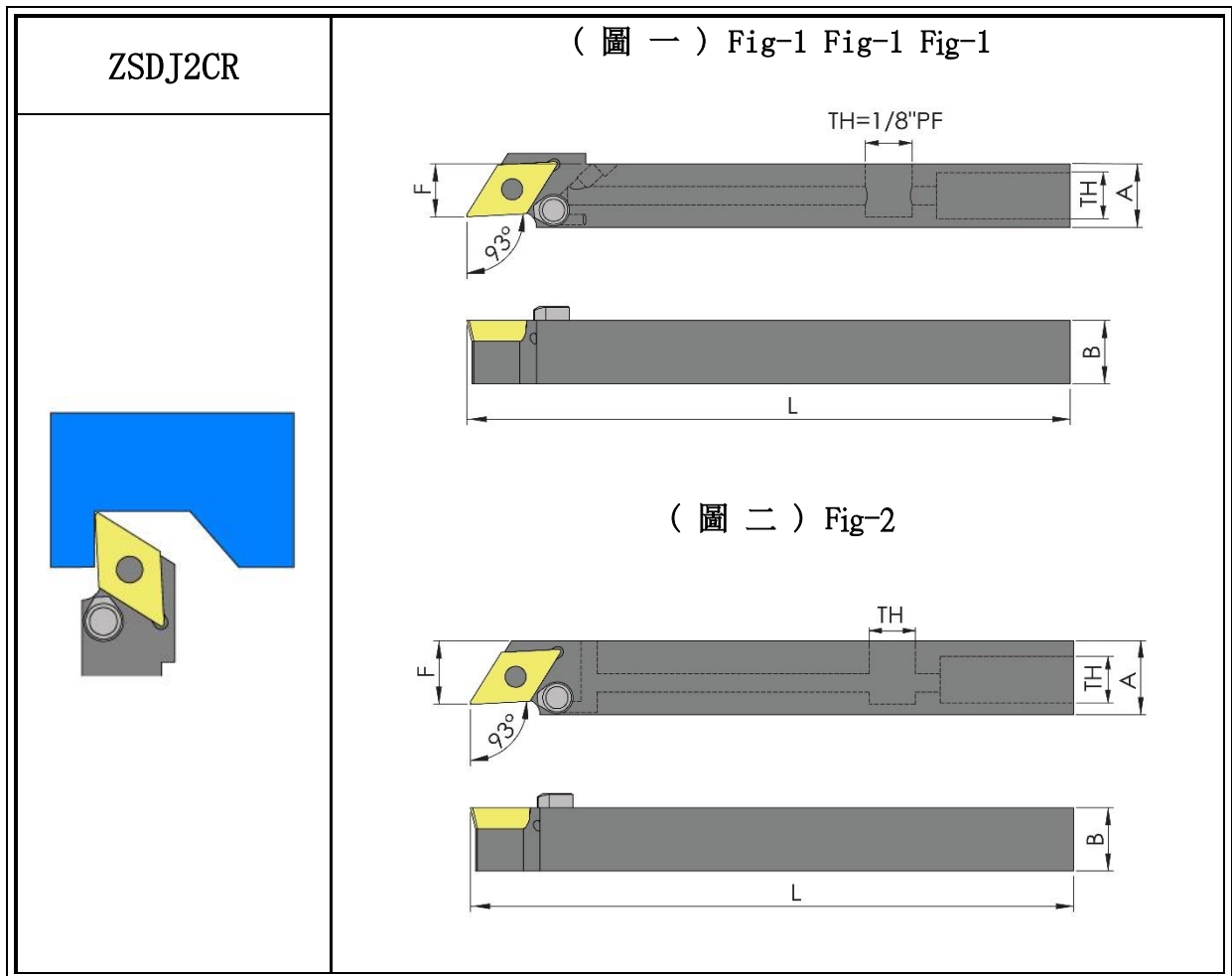
Stock	型號 Model No.	F	A	B=H	L	刀片 Insert
●	ZMTJ2NR/L-A1616K-16	16	16	16	125	VN1604


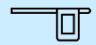
●:庫存 In Stock ○:非標準庫存(請確認交貨期) Non-standard Stock

配件 Tool Parts :

				
墊片 Shim	中心柱 Shim Screw	壓板 Clamp	雙頭螺絲 Clamp Screw	板手 Wrench
TMS322	LCS-513A	DVPSE-3214	DS625	L2.0 L2.5

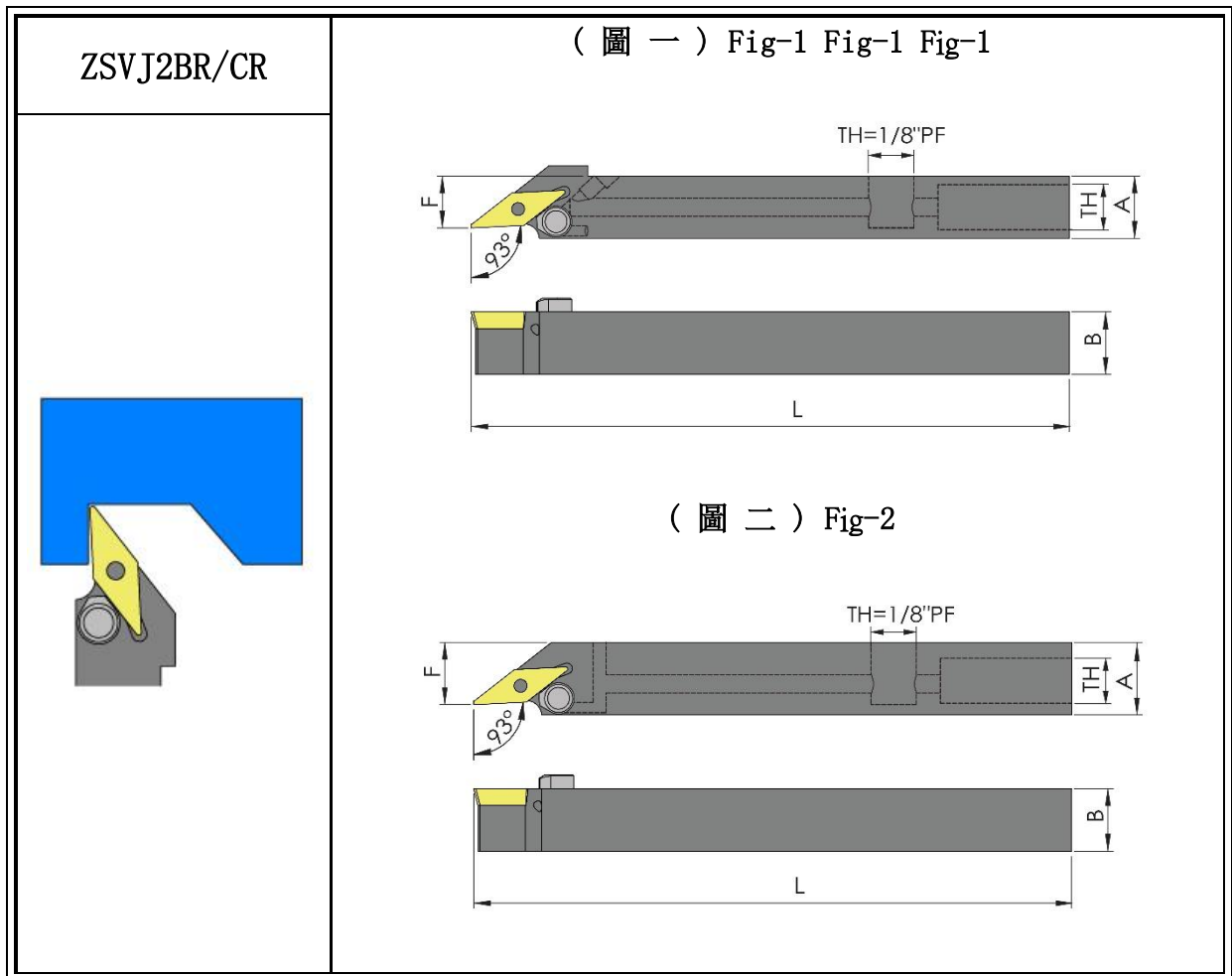
Zy 外徑出水車刀-走心式 Tool Holder With Coolant For Automatic Lathes



Stock	型號 Model No.	圖 Fig	F	A	B	L	 螺絲 Screw	 板手 Wrench	刀片 Insert
●	ZSDJ2CR/L-A1212K-11	1	10	12	12	125	M4x8.8x5.4	T15	DC11T3
●	ZSDJ2CR/L-A1616K-11	2	14	16	16	125			

●:庫存 In Stock ○:非標準庫存(請確認交貨期) Non-standard Stock

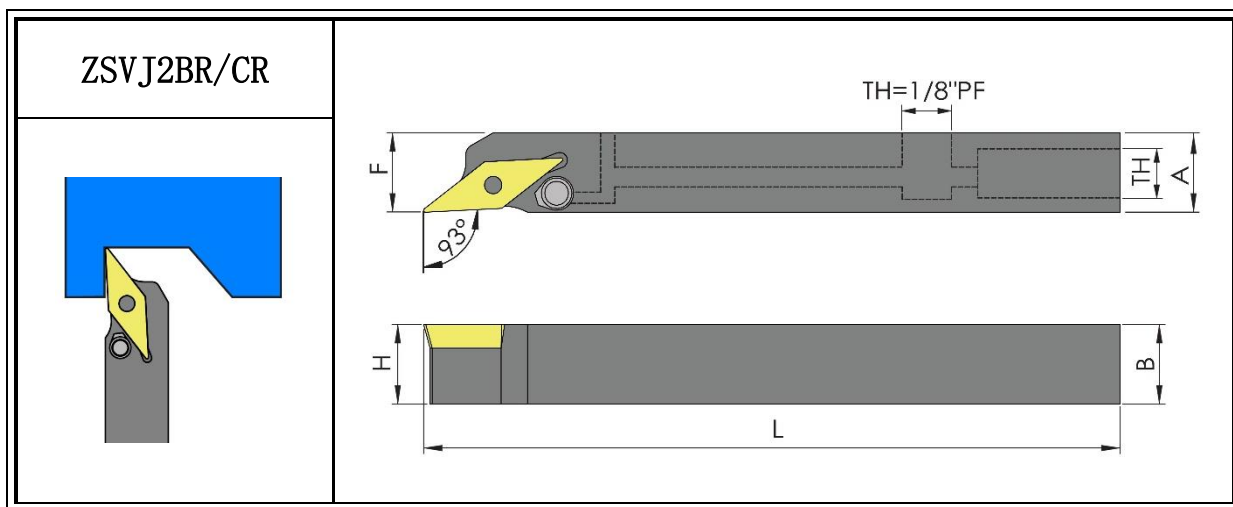
Zy 外徑出水車刀-走心式 Tool Holder With Coolant For Automatic Lathes







Stock	型號 Model No.	圖 Fig	F	A	B	L	螺絲 Screw	扳手 Wrench	刀片 Insert
●	ZSVJ2BR-A1212K-11	1	10	12	12	125	M2.5x6.0x3.6	T8	VB1103
●	ZSVJ2BR-A1616K-11	2	14	16	16	125			
●	ZSVJ2CR-A1212K-11	1	10	12	12	125	M2.5x6.0x3.6	T8	VC1103
●	ZSVJ2CR-A1616K-11	2	14	16	16	125			

●:庫存 In Stock ○:非標準庫存(請確認交貨期) Non-standard Stock

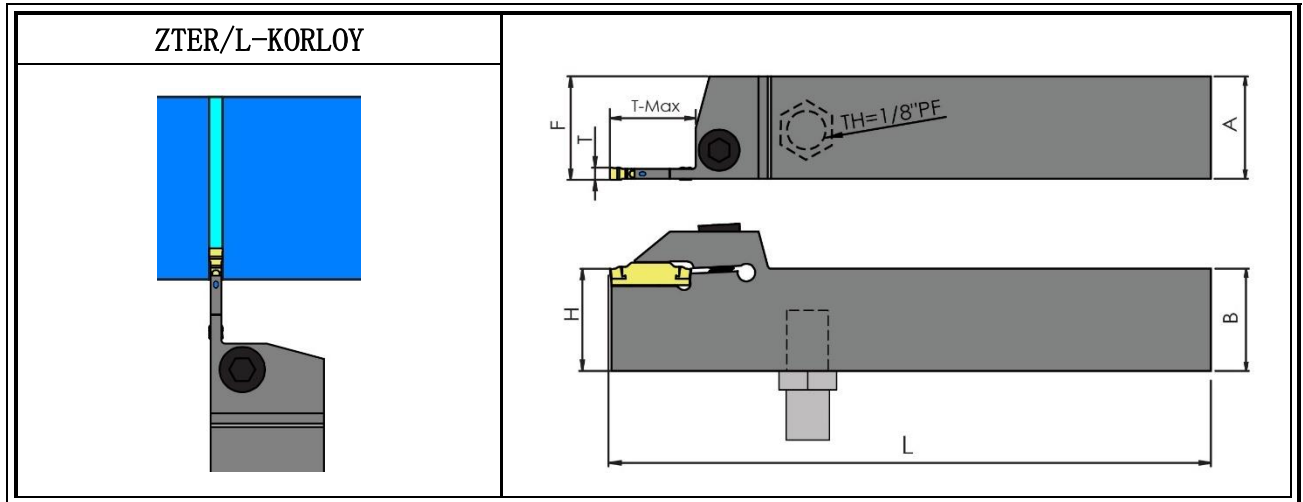
Zy 外徑出水車刀-走心式 Tool Holder With Coolant For Automatic Lathes

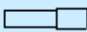
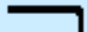


Stock	型號 Model No.	F	A	B=H	L	 墊片 Shim	 墊片螺絲 Shim Screw	 螺絲 Screw	 板手 Wrench	刀片 Insert
●	ZSVJ2BR/L-A1616K-16AL	16	16	16	125	VSS322	M5	M3.5x11.4x5.7	T15	VB1604
●	ZSVJ2CR/L-A1616K-16AL	16	16	16	125					VC1604

●:庫存 In Stock ○:非標準庫存(請確認交貨期) Non-standard Stock

Zy 外徑出水切槽刀 External Grooving With Coolant



Stock		型號 Model No.	A	B=H	F	L	T	T-Max	 螺絲 Screw	 板手 Wrench	
R	L										
●	●	ZTER/L-A2020K-MG2-14	20	20	20	125	2	14	HTM6x20L	L5.0	
●	●	ZTER/L-A2020K-MG2-18	20	20	20	125		18			HTM6x20L
●	●	ZTER/L-A2525M-MG2-14	25	25	25	150	2	14	HTM6x25L		
●	●	ZTER/L-A2525M-MG2-18	25	25	25	150		18			HTM6x25L
●	●	ZTER/L-A2020K-MG3-20	20	20	20	125	3	20	HTM6x20L	L5.0	
●	○	ZTER/L-A2525M-MG3-10	25	25	25	150		10			HTM6x25L
●	●	ZTER/L-A2525M-MG3-20	25	25	25	150		20			HTM6x25L
●	●	ZTER/L-A2020K-MG4-20	20	20	20	125	4	20	HTM6x20L	L5.0	
●	●	ZTER/L-A2525M-MG4-20	25	25	25	150		20			HTM6x25L
○	○	ZTER/L-A2020K-MG5-25	20	20	20	125	5	25	HTM6x20L	L5.0	
●	●	ZTER/L-A2525M-MG5-25	25	25	25	150		25			HTM6x25L

●:庫存 In Stock ○:非標準庫存(請確認交貨期) Non-standard Stock

刀片 Insert : KORLOY

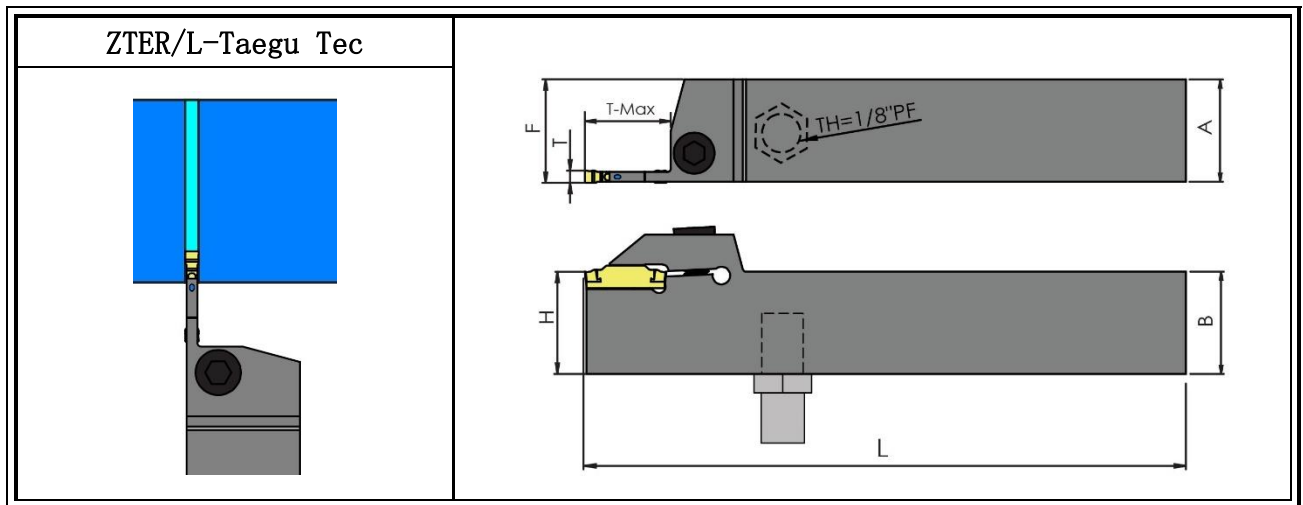
MG2= MGN200

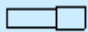
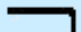
MG3= MGN300

MG4= MGN400

MG5= MGN500

Zy 外徑出水切槽刀 External Grooving With Coolant

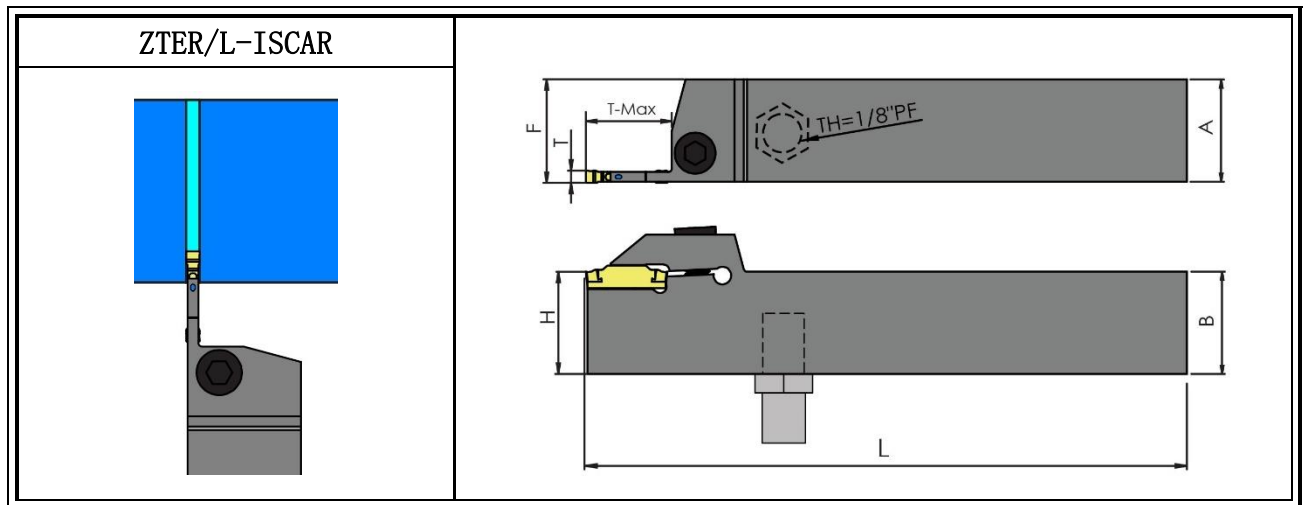


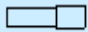
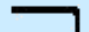
Stock		型號 Model No.	A	B=H	F	L	T	T-Max	 螺絲 Screw	 板手 Wrench
R	L									
●	●	ZTER/L-A2020K-TD2-17	20	20.1	20	125	2	17	HTM6x20L	L5.0
●	○	ZTER/L-A2525M-TD2-17	25	25.1	25	150	2	17	HTM6x25L	
●	○	ZTER/L-A2020K-TD3-20	20	20.3	20	125	3	20	HTM6x20L	
●	○	ZTER/L-A2525M-TD3-20	25	25.3	25	150	3	20	HTM6x25L	
●	○	ZTER/L-A2525M-TD4-25	25	25.5	25	150	4	25	HTM6x16L	
●	○	ZTER/L-A2525M-TD5-32	25	25.5	25	150	5	32	HTM6x25L	

●:庫存 In Stock ○:非標準庫存(請確認交貨期) Non-standard Stock

刀片 Insert : Taegu Tec

Zy 外徑出水切槽刀 External Grooving With Coolant



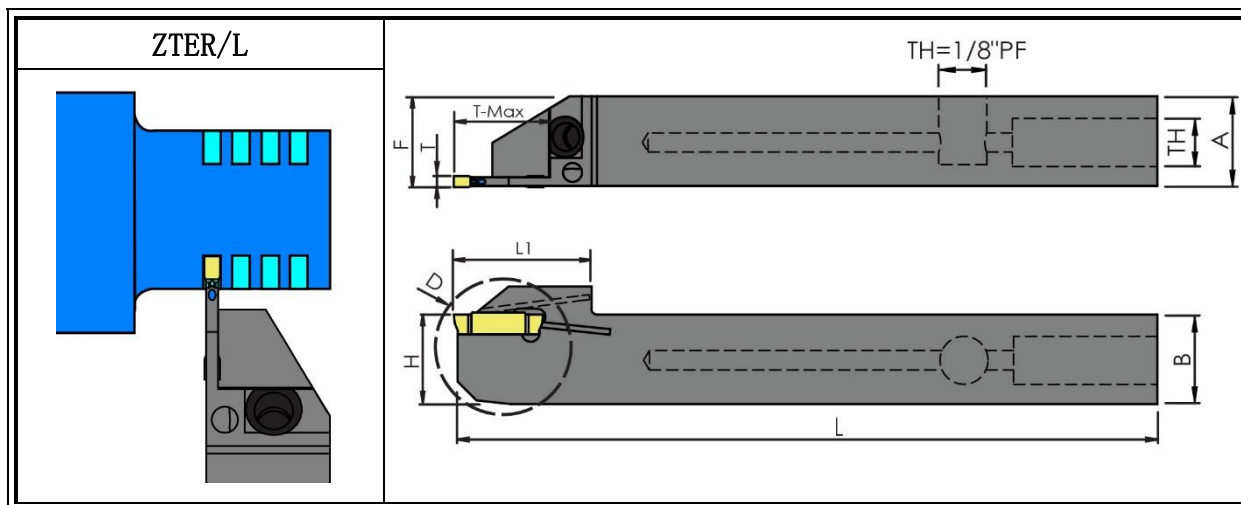
Stock		型號 Model No.	A	B=H	F	L	T	T-Max	 螺絲 Screw	 板手 Wrench
R	L									
●	●	ZTER/L-A2020K-DGN2-17	20	20	20	125	2	17	HTM6x20L	L5.0
●	●	ZTER/L-A2525M-DGN2-17	25	25	25	150	2	17	HTM6x25L	
●	●	ZTER/L-A2020K-DGN3-20	20	20	20	125	3	20	HTM6x20L	
●	●	ZTER/L-A2525M-DGN3-20	25	25	25	150	3	20	HTM6x25L	

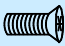
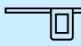
●:庫存 In Stock ○:非標準庫存(請確認交貨期) Non-standard Stock

刀片 Insert : ISCAR

Zy 外徑出水切槽刀 自動車床用


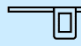
External Grooving With
Coolant For Automatic Lathes



Stock		型號 Model No.	D	A	B=H	L	L1	T	T-Max	 螺絲 Screw	 板手 Wrench
R	L										
●	●	ZTER/L-A1010K-MGX20A-10	20	10	10	125	18	2	10.5	M4x12.0x5.6	T15
●	●	ZTER/L-A1212K-MGX20A-12.5	25	12	12	125	19.5		13		
●	●	ZTER/L-A1616K-MGX20A-16	32	16	16	125	25		16.5	M4x16.1x5.4	


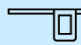
●:庫存 In Stock ○:非標準庫存(請確認交貨期) Non-standard Stock

刀片 Insert : KORLOY

Stock		型號 Model No.	D	A	B=H	L	L1	T	T-Max	 螺絲 Screw	 板手 Wrench
R	L										
●	●	ZTER/L-A1212K-TD2SH-24	24	12	12	125	19	2	12	M4x16.1x5.4	T15
●	●	ZTER/L-A1616K-TD2SH-32	32	16	16	125	24		16		

●:庫存 In Stock ○:非標準庫存(請確認交貨期) Non-standard Stock

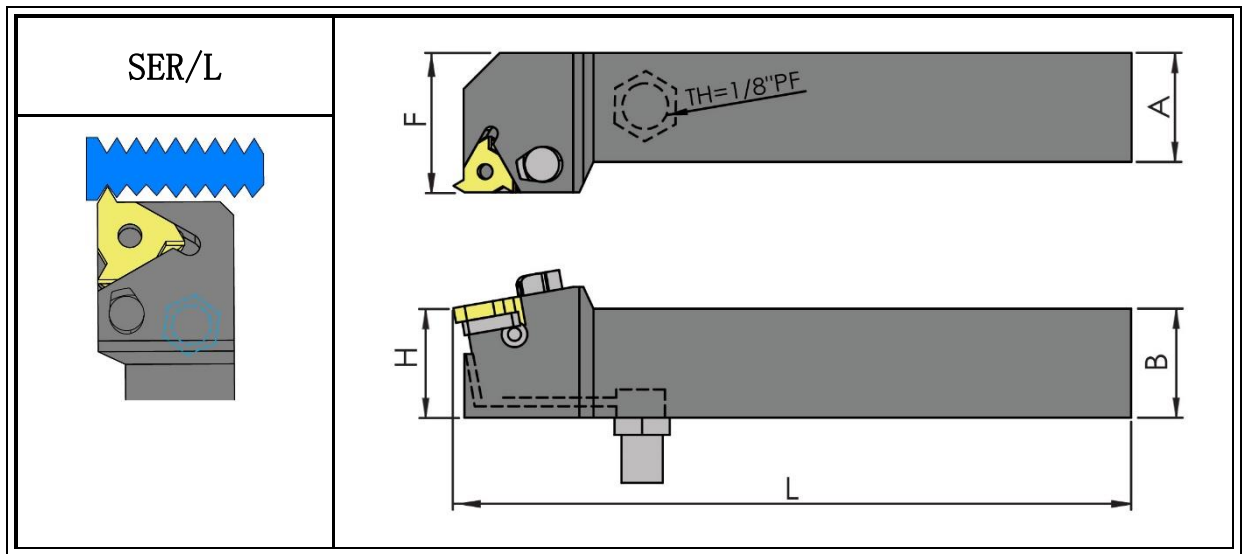
刀片 Insert : Taegu Tec

Stock		型號 Model No.	D	A	B=H	L	L1	T	T-Max	 螺絲 Screw	 板手 Wrench
R	L										
●	●	ZTER/L-A1212K-DGN2-12.5	12.5	12	12	125	19.5	2	12	M4x16.1x5.4	T15
●	●	ZTER/L-A1616K-DGN2-16	16	16	16	125	25		16		

●:庫存 In Stock ○:非標準庫存(請確認交貨期) Non-standard Stock

刀片 Insert Insert ISCAR

Zy 外徑出水牙刀 External Threading With Coolant

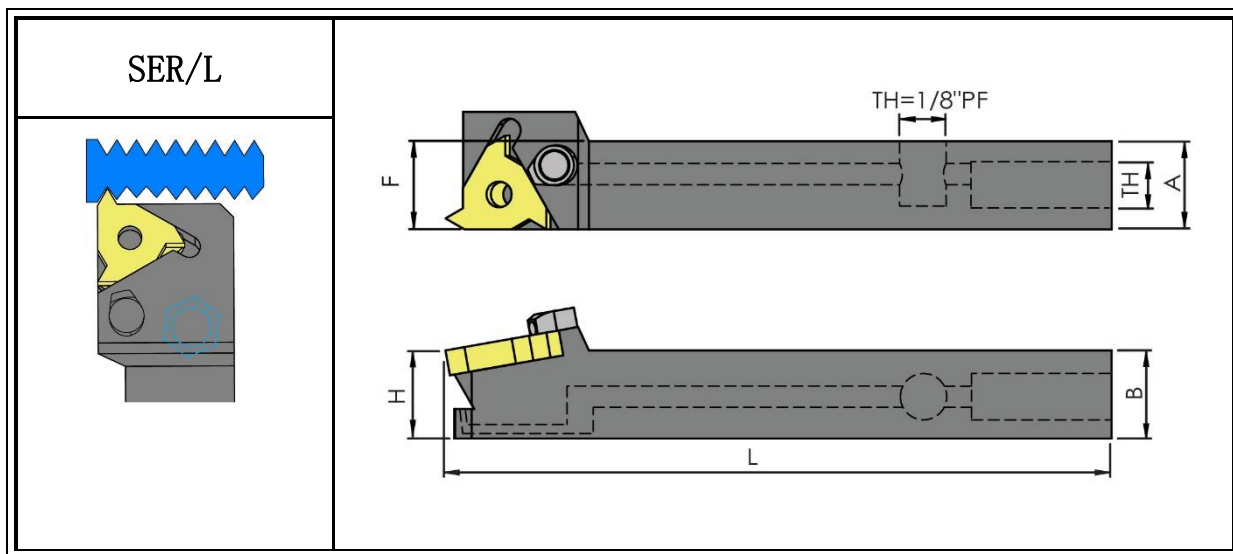


Stock	型號 Model No.	A	B	F	L	螺絲 Screw	墊片 Shim	螺絲 Shim Screw	板手 Wrench	刀片 Insert
●	SER/L-A2020K-16	20	20	25	125	M3. 5x11. 4x5. 1	GXE16	M3	T15	16NR
●	SER/L-A2525M-16	25	25	32	150		GXN16		L:2.5	

●:庫存 In Stock ○:非標準庫存(請確認交貨期) Non-standard Stock

Zy 外徑出水牙刀 自動車床用

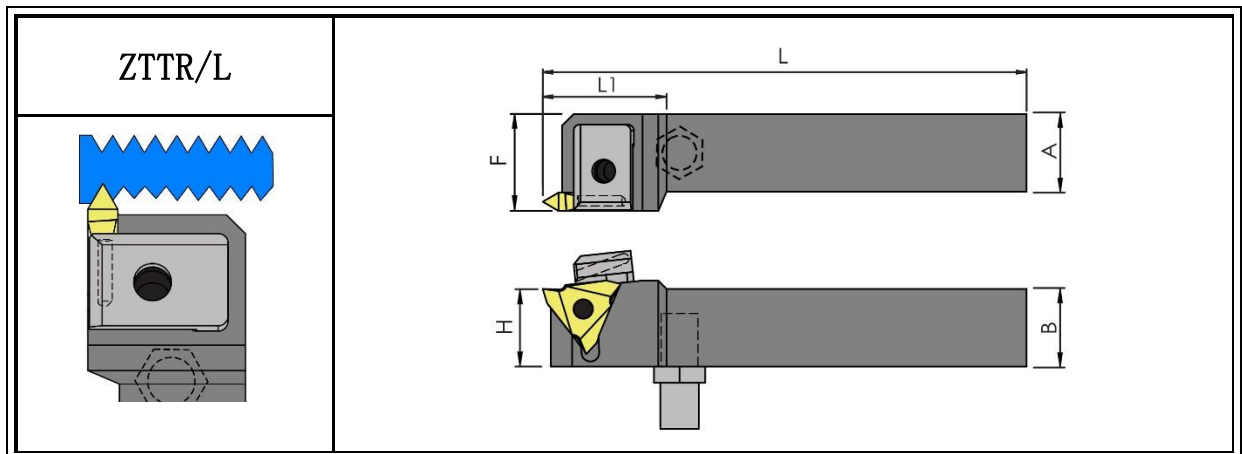
External Threading With
Coolant For Automatic Lathes



Stock	型號 Model No.	A	B	F	L	螺絲 Screw	墊片 Shim	螺絲 Shim Screw	板手 Wrench	刀片 Insert
●	SER/L-A2020K-16	20	20	25	125	M3. 5x11. 4x5. 1	GXE16	M3	T15	16NR
●	SER/L-A2525M-16	25	25	32	150		GXN16		L:2.5	

●:庫存 In Stock ○:非標準庫存(請確認交貨期) Non-standard Stock

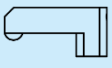
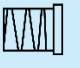




Zy 外徑出水牙刀 External Threading With Coolant



Stock	型號 Model No.	A	B	F	L	刀片 Insert
●	ZTTR/L-A2020K-22	20	20	25	125	三菱 MTTR436002
●	ZTTR/L-A2525M-22	25	25	32	150	

●:庫存 In Stock ○:非標準庫存(請確認交貨期) Non-standard Stock

配件 Tool Parts :

					
壓板 Clamp	中心柱 Clamp Screw	螺絲 Screw	彈簧 Spring	O 型環 O-RING	板手 Wrench
ZMTK1R/L-E	M5x13L	M5x25L	SP5309	4X1	L3