



套筒系列



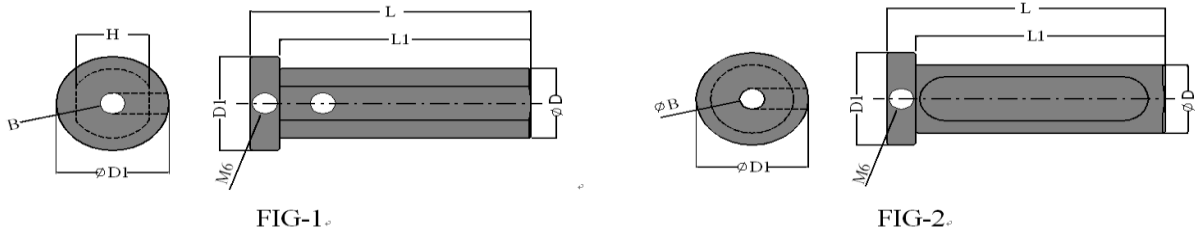
錳鋼車刀

搭配套筒

組立圖

CNC車刀專用套筒

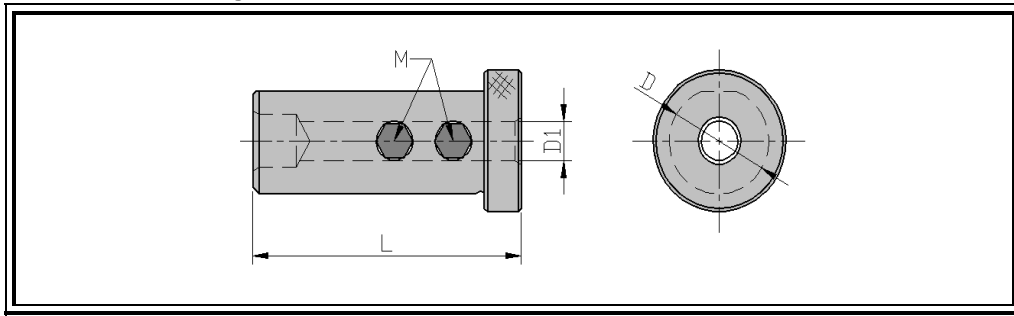
Zy 內徑車刀套筒 ZNC Sleeve



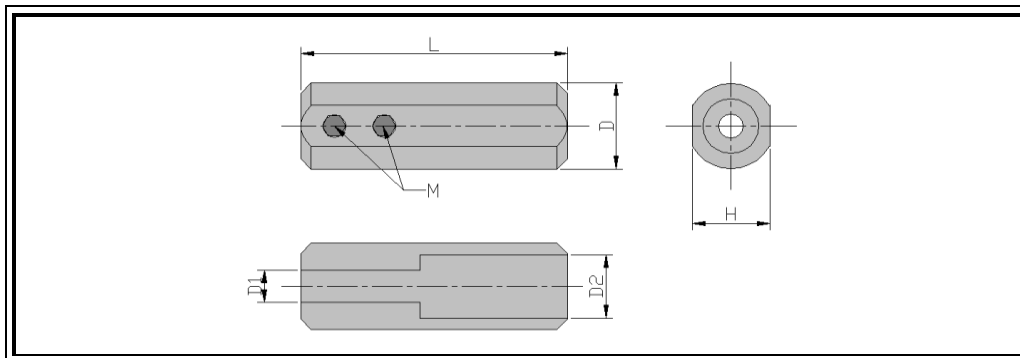
Stock	型號 Model No.	B	D	L	L1	D1	H	M	圖 Fig
○	ZNC20-08	8	20	67	60	27	17.5	M6	FIG-1
○	ZNC20-10	10							FIG-1
○	ZNC20-12	12							FIG-1
○	ZNC20-16	16					55	13	FIG-2
○	ZNC25-06	6	25	64	58	35	23.5	M6	FIG-1
○	ZNC25-08	8							FIG-1
○	ZNC25-10	10							FIG-1
○	ZNC25-12	12							FIG-1
○	ZNC25-16	16					51	12	FIG-2
○	ZNC25-20	20							FIG-2
○	ZNC32-06	6	32	85	70	38	29.5	M6	FIG-1
○	ZNC32-08	8							FIG-1
○	ZNC32-10	10		100	85				FIG-1
○	ZNC32-12	12							FIG-1
○	ZNC32-16	16				FIG-1			
○	ZNC32-18	18				77	14	FIG-2	
○	ZNC32-20	20		FIG-2					
○	ZNC32-25	25		FIG-2					
○	ZNC40-06	6	40	100	85	46	38	M8	FIG-1
○	ZNC40-08	8							FIG-1
○	ZNC40-10	10							FIG-1
○	ZNC40-12	12							FIG-1
○	ZNC40-16	16					77	14	FIG-1
○	ZNC40-18	18							FIG-2
○	ZNC40-20	20				FIG-2			
○	ZNC40-25	25				FIG-2			
○	ZNC40-32	32				FIG-2			

●:庫存 In Stock ○:非標準庫存(請確認交貨期) Non-standard Stock ▲:訂購套筒請註明使用機台

Zy 內徑車刀套筒 Sleeve



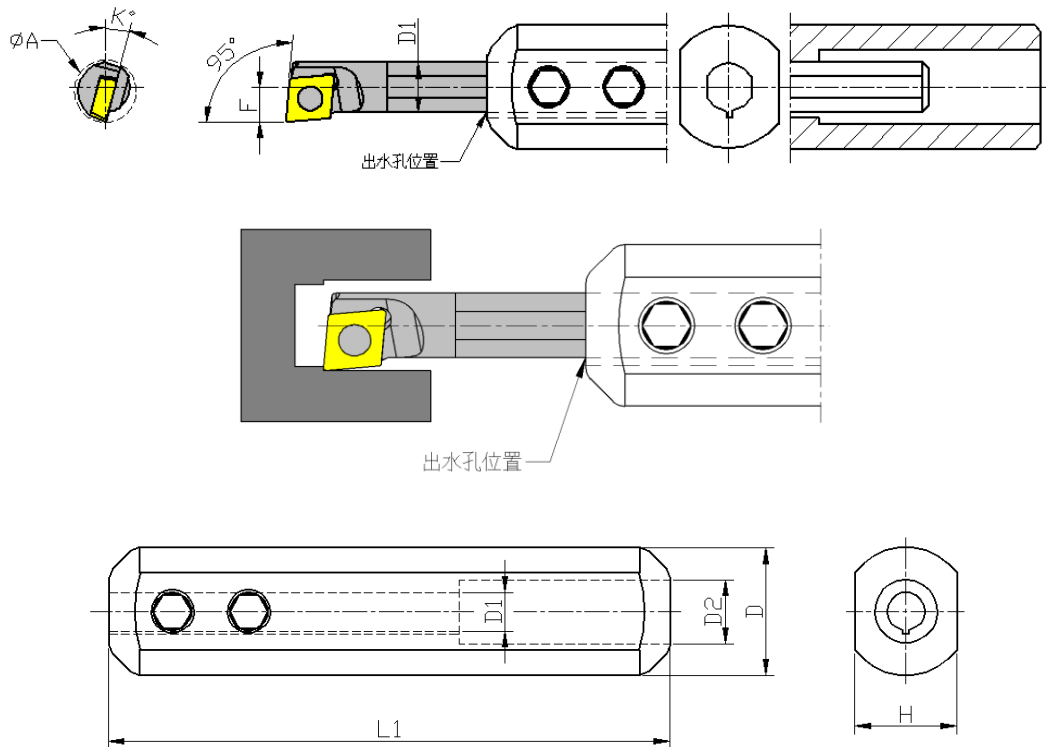
Stock	型號 Model No.	D	D1	L	螺絲 Screw	板手 Wrench
●	SH-0416-60	16	4	60	SETM4x4L	L2.0
●	SH-0516-60	16	5	60	SETM5x5L	L2.5
●	SH-0616-60	16	6	60	SETMx4L	L3.0
●	SH-0716-60	16	7	60	SETM6x4L	L3.0





Stock	型號 Model No.	D	D1	D2	H	L	螺絲 Clamp Screw	板手 Wrench
●	SH-0316-100	16	3	6	14	100	SETM4x5L	L2.0
●	SH-0416-100	16	4	5	14	100	SETM4x4L	L2.0
●	SH-0516-100	16	5	6	14	100	SETM5x5L	L2.5
●	SH-0616-100	16	6	7	14	100	SETM6x4L	L3.0
●	SH-0716-100	16	7	8	14	100	SETM6x4L	L3.0
●	SH-0816-100	16	8	9	15	100	SETM6x5L	L3.0
●	SH-0820-100	20	8	9	18.5	100	SETM6x5L	L3.0
●	SH-1020-100	20	10	11	18.5	100	SETM6x4L	L3.0

●:庫存 In Stock ○:非標準庫存(請確認交貨期) Non-standard Stock

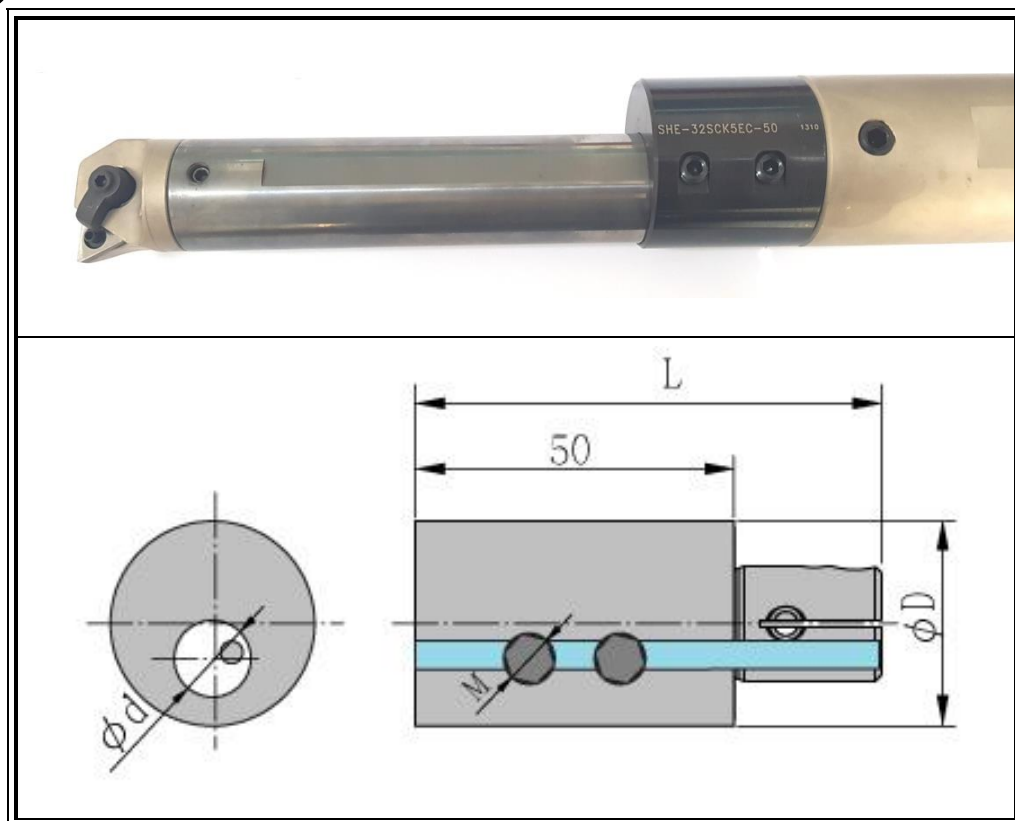
Zy 內徑車刀水孔套筒 Sleeve With Coolant





Stock	型號 Model No.	D	D1	D2	H	L1	 螺絲 Screw	 板手 Wrench
●	SHE-0416-100	16	4	5	14	100	SETM4x4L	L2.0
●	SHE-0516-100	16	5	6	14	100	SETM5x5L	L2.5
●	SHE-0616-100	16	6	7	14	100	SETM6x4L	L3.0
●	SHE-0716-100	16	7	8	14	100	SETM6x4L	L3.0
●	SHE-0816-100	16	8	9	15	100	SETM6x5L	L3.0
●	SHE-0820-100	20	8	9	18.5	100	SETM6x5L	L3.0
●	SHE-1020-100	20	10	11	18.5	100	SETM6x4L	L3.0

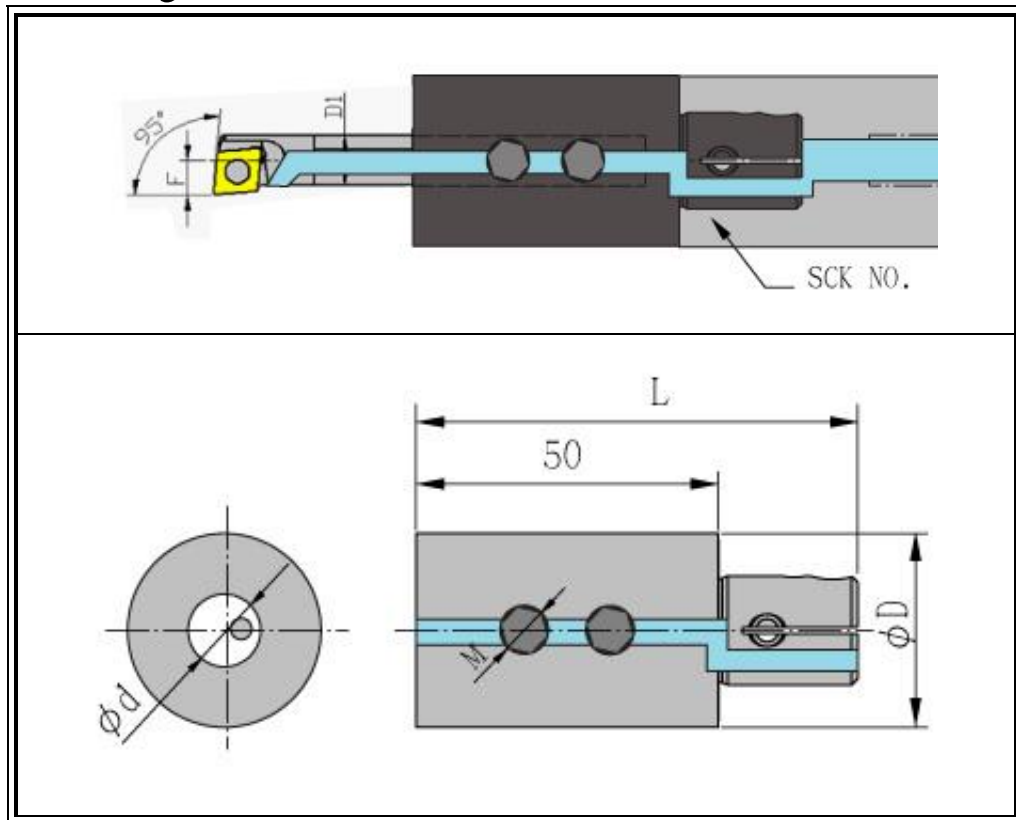
●:庫存 In Stock ○:非標準庫存(請確認交貨期) Non-standard Stock



Zy 模組式偏心套筒 Modular Eccentric Sleeve



Stock	型號 Model No.	D	d	L	 螺絲 Screw	 板手 Wrench
●	SHE-12SCK3EC-50	32	12	73	SETM8x6L	L4.0
●	SHE-16SCK3EC-50	32	16			
●	SHE-20SCK3EC-50	32	20			
●	SHE-12SCK4EC-50	40	12	74	SETM8x10L	
●	SHE-16SCK4EC-50	40	16			
●	SHE-20SCK4EC-50	40	20		SETM8x6L	
●	SHE-25SCK4EC-50	40	25			
●	SHE-12SCK5EC-50	50	12	80.5	SETM8x10L	
●	SHE-16SCK5EC-50	50	16			
●	SHE-20SCK5EC-50	50	20			
●	SHE-25SCK5EC-50	50	25			
●	SHE-32SCK5EC-50	50	21		SETM8x8L	

Zy 模組式套筒 Modular Sleeve



Stock	型號 Model No.	D	d	L	 螺絲 Screw	 板手 Wrench
●	SHE-12SCK3-50	32	12	73	SETM8x6L	4.0
●	SHE-16SCK3-50	32	16			
●	SHE-20SCK3-50	32	20			
●	SHE-12SCK4-50	40	12	74	SETM8x10L	
●	SHE-16SCK4-50	40	16			
●	SHE-20SCK4-50	40	20			
●	SHE-25SCK4-50	40	25		SETM8x6L	
●	SHE-12SCK5-50	50	12	80.5	SETM8x10L	
●	SHE-16SCK5-50	50	16			
●	SHE-20SCK5-50	50	20			
●	SHE-25SCK5-50	50	25			
●	SHE-32SCK5-50	50	21			SETM8x8L